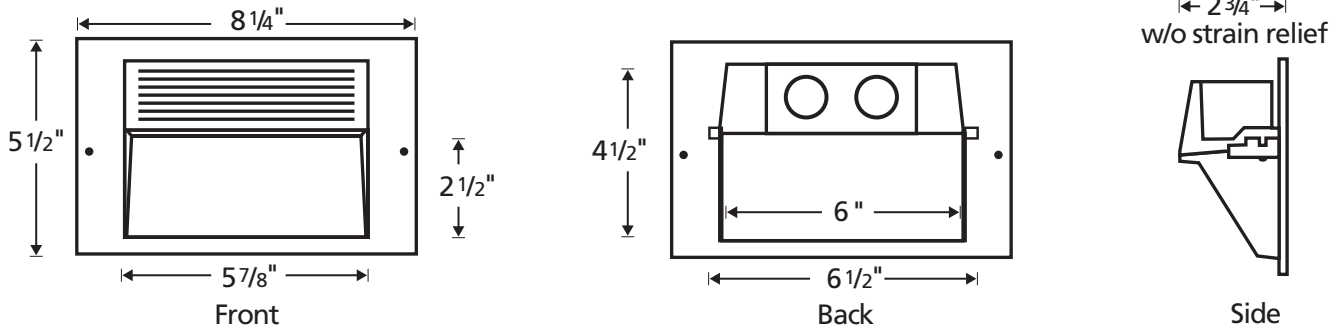


LED REFLECTIVE LIGHT



SCHEMATICS:



DESCRIPTION:

Medium size die cast aluminum fixture that reflects the brightness of 22 LEDs into a soft illumination. 110VAC input and output. Only 2.5 watts per fixture. Daisy chain up to 250 fixtures on a 110VAC tap. Offered in two finishes and five LED colors. Wall mount only.

APPLICATIONS

- ▶ Interior steps
- ▶ Exterior steps
- ▶ Aisles
- ▶ Halls
- ▶ Paths
- ▶ Patio lighting
- ▶ Entry lighting
- ▶ Post lighting

FEATURES

- ▶ 60,000-hour LED life
- ▶ 110VAC power input and output
- ▶ Low energy requirements of 2.5 watts per fixture
- ▶ 250 fixtures per 110VAC tap
- ▶ UL Listed for wet and IC locations
- ▶ 2 Cover Colors: White, Aluminum
- ▶ 5 LED Colors: Warm White, Cool White, Blue, Green, Amber
- ▶ Die cast aluminum can and cover
- ▶ Fits any housing cutout of 6.5" L x 4.5" H x 3" D

ORDERING LOGIC:

LEDRL-XX-YY

XX = LED COLOR

WW = Warm White GR = Green
 CW = Cool White AM = Amber
 BL = Blue

YY = FIXTURE FINISH

AL = Powder Coated Aluminum
 WH = Powder Coated White

SPECIFICATIONS:

Voltage	110 VAC
Fixture Energy Rating	110 VAC, 25mA, 2.5 watts
LED Color Temperature	Warm White 3300K +/-200K, Cool White 7000K +/-200K
Average LED Life	60,000 Hours
LED Colors	Warm White, Cool White, Blue, Green, Amber
Cover Finish	White, Aluminum
Can Finish	White, Aluminum
Packaging	Individually packaged in 2-color corrugated box.
Construction	Both cover and can are die cast aluminum for corrosion protection, strength, weight, and consistency of finish.
Lens	Frosted Tempered Glass
Wiring Options	110VAC can be parallel wired ("daisy chained") up to 250 fixtures per tap. Check local code and NEC for wiring selection.
Dimming	Not for use with dimmers.
Agency Approval	UL listed and labeled for wet and IC locations. Wall mount only.



PROJECT:	TYPE:
NOTES:	