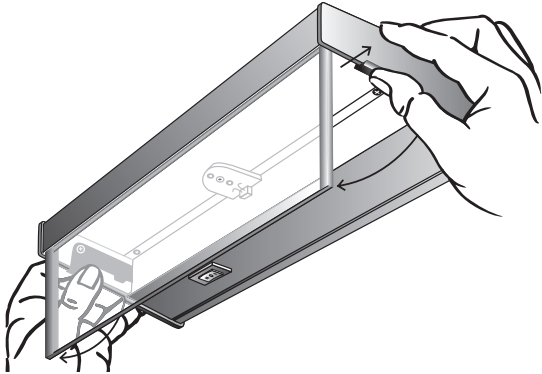


MOUNTING AND WIRING INSTRUCTIONS

Caution! Make sure fixture is not plugged in, or receiving power in any way.

1. First release glass diffuser lens by pressing metal tabs on each end of the LTL outward. This loosens the glass lens which will swing down.



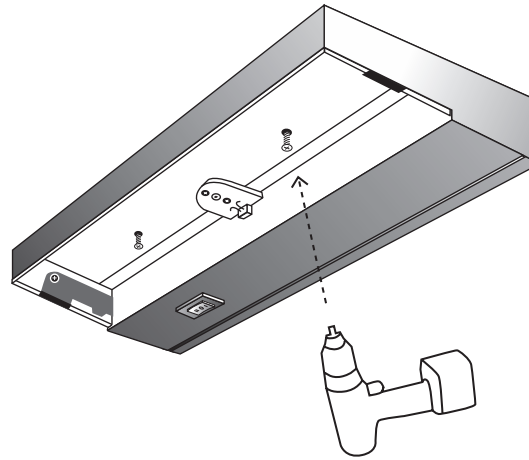
NOTE:

Four and five LED module units have magnet(s) on center of lens which will require a gentle pry downward with a small screwdriver on the lens to release.

2. Easy mounting is assured by simply positioning fixture on mounting surface and driving the two pre-positioned screws into underside of cabinet with a power screwdriver. See next page.

NOTE:

For wall or under cabinet mount only.



3. Replace glass diffuser by swinging glass lens up into position.

Caution! This portable lamp has a polarized plug (one blade is wider than the other) as a feature to reduce the risk of electric shock. This plug will fit in a polarized outlet only one way. If the plug does not fit fully in the outlet, reverse the plug. If it still does not fit, contact a qualified electrician. Never use with an extension cord unless plug can be fully inserted. Do not alter the plug.

4. Insert polarized plug into appropriate 110V receptacle.
5. Not dimmable.

RELAMPING LED MODULE

In the highly unlikely event of an LED module failure, please follow the instructions listed below:

CAUTION! If unit has recently been operating, glass, LED module(s), and fixture are hot! Turn off fixture and allow it to cool for 15 minutes before relamping.

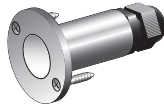
CAUTION! Always replace LED module(s) with fixture switch in the OFF position.

NOTE: Using a thin pair of gloves during this procedure will eliminate fingerprints on glass lens and LED module(s).

1. Release glass diffuser lens by pressing metal tabs on each end of the LTL outward. This loosens the glass lens which will swing down.
2. Push down on LED module male connector clip. This will disengage connector clip from female connector side in fixture. With connector clip free, gently pull connector apart.
3. Unscrew old LED module. Replace with new LED module (NSL Part No. LEDMOD-12-CR). Tighten screws just snug.
4. Push male connector from LED module into female connector in fixture. Make sure male connector clip engages to female connector.
5. Replace glass diffuser by swinging glass lens up into position.

OTHER LED PRODUCTS FROM NSL

LED MiniDisc Light
The perfect mini light for outlining and illuminating architectural features.



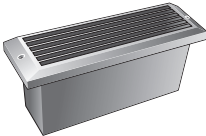
UL US LISTED
Wet, IC and Direct Burial Locations

LED Step Light
Long lasting LED technology in a die cast aluminum step light fixture.



UL US LISTED
Wet & IC Locations

LED Brick Light
Long lasting LED technology in a brick-sized die cast aluminum fixture.



UL US LISTED
Wet & IC Locations

LED Reflective Light
Medium size wall-mounted fixture that reflects the brightness of 22 LEDs.



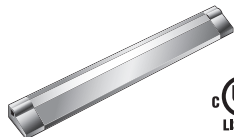
UL US LISTED
IC Locations

Micro LED
Embedded LED/chip technology extruded in a flexible light strip.



UL US LISTED

LED Shelf Star
An elegant LED fixture of ultra-thin design and extremely even illumination.



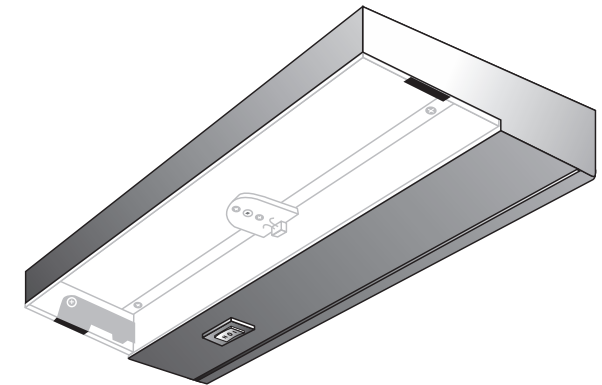
UL US LISTED

INSTALLATION INSTRUCTIONS

LED TASK LIGHT

Self-Contained LED Task Light Fixture

POWER CORD VERSION



Under cabinet task light

Bright enough for writing and detail work

Integral on/off switch

Cooler and safer than halogen lights

60,000 hour LED life

Not dimmable

NATIONAL SPECIALTY LIGHTING
ARCHITECTURAL AND DECORATIVE LIGHTING

LOUISVILLE, CO 80027

www.nslusa.com

© 2009 National Specialty Lighting

4/09

NSL
NATIONAL SPECIALTY LIGHTING

UL US LISTED