

XENON PICTURE LIGHT JUNCTION BOX MOUNTING INSTRUCTIONS

WARNING! This recessed junction box kit is to be used only with National Specialty Lighting Xenon Picture Light, and is not UL listed for any other product.

WARNING! These products may represent a possible shock or fire hazard if improperly installed or attached in any way. Products should be installed in accordance with the owner's manual, current electric code, and/or the current National Electric Code (NEC).

The contents of the XPL-JB include:

- (1) DRYWALL JUNCTION BOX
- (1) 12V, 60W CLASS II ELECTRONIC TRANSFORMER, MDL CORP. MODEL: 316-0003
- (1) CUSTOM FACE PLATE WITH SCREWS
- (5) WIRE NUT CONNECTOR

1. Follow the Xenon Picture Light mounting instructions to locate the placement of the junction box.

IMPORTANT! Once the desired placement of the picture light mounting brackets are determined there must not be a wall stud within 1.5 inches on either side of the wiring stanchion. An electric stud finder is suggested for accuracy. Xenon Picture Light may have to be repositioned 2 inches left or right to accommodate this requirement.

2. Once the picture light location has been determined and the brackets have been mounted, use diagram A to locate the junction box.

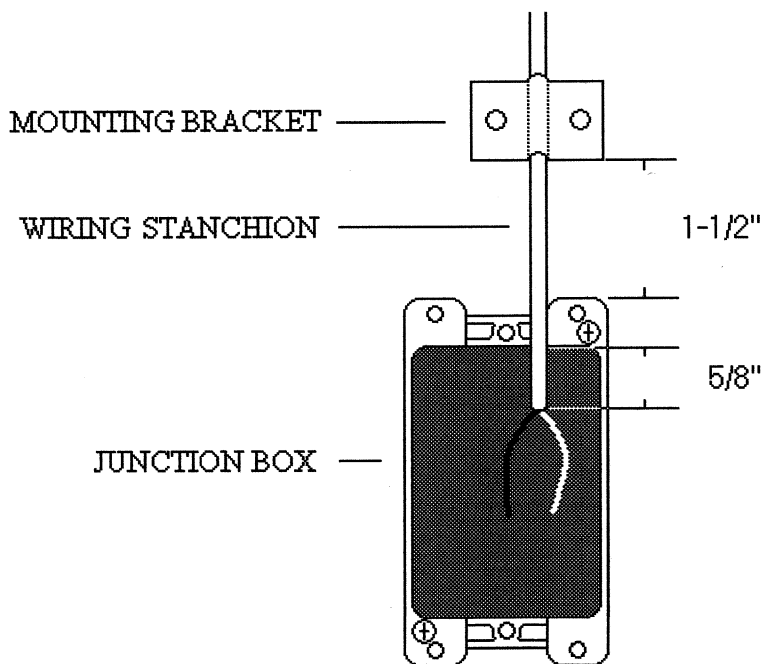


Diagram A

3. Once the final mounting location of the junction box is determined make a 2.25" x 3.75" hole to recess the box.

CAUTION! Make sure there is no power going through 110V wiring at this time.

4. 110V wiring must be brought through the wall to the junction box hole. An electrician may be required to complete this step. We suggest all picture lights be wired through an on/off switch before reaching the junction box.

Note: Please review diagram B before proceeding with steps 5 - 12.

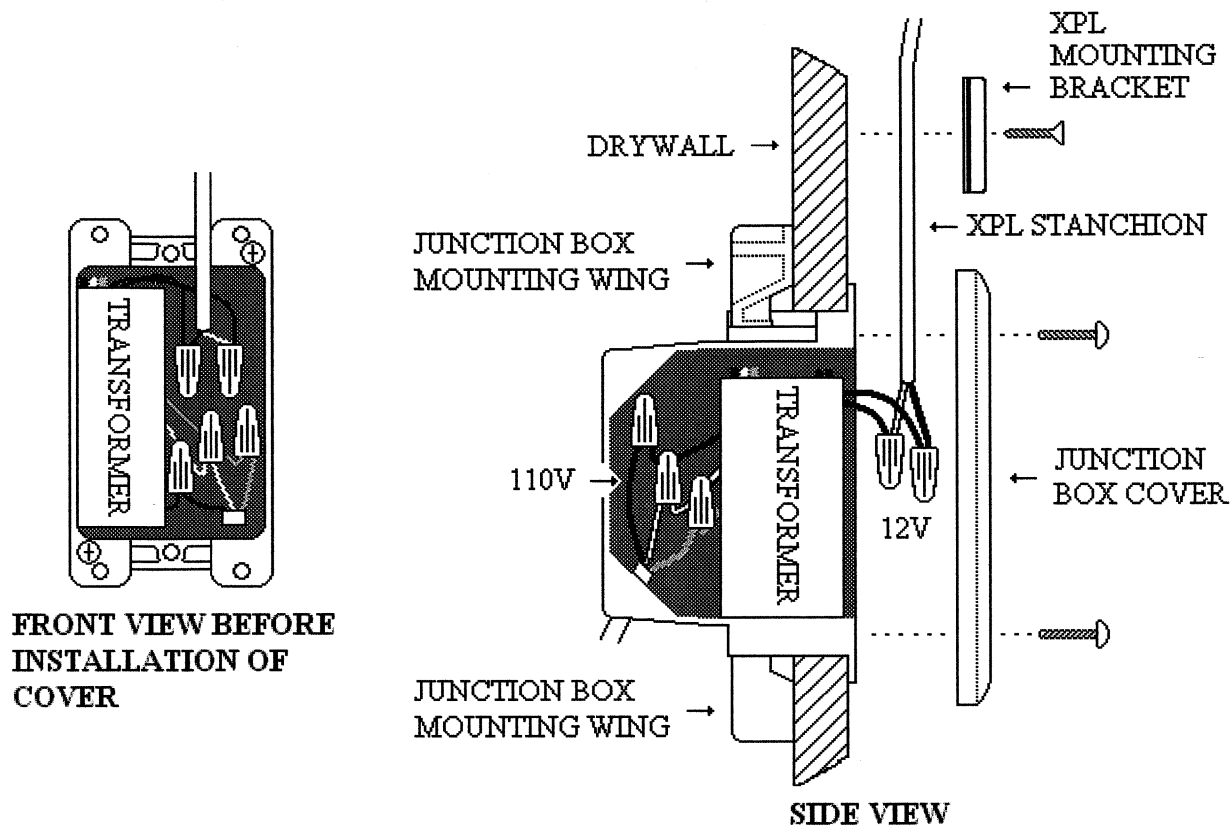


Diagram B

5. Once the wiring is through the hole, use the junction box strain relief system to secure the wire in the box.
6. With the junction box wings flush, place box into the hole and secure by tightening box wing screws with a phillips screwdriver.
7. Following the picture light mounting instructions, completely install the Xenon Picture Light with final placement of wiring stanchion as illustrated above

CAUTION! Use only MDL CORP. MODEL: 316-0041 electronic transformer

CAUTION! Dimmer if used, must be electronic low-voltage dimmer.

8. Use three wire nuts to connect the incoming 110V to the primary leads on the electronic transformer, and ground of transformer.
9. Use two wire nuts to connect the picture light leads to the secondary (red) 12V leads on the electronic transformer.
10. Attach the electronic transformer to the inside of the junction box using the double sided tape applied to the transformer as illustrated.
11. With the included screws, attach the custom face plate to the junction box matching slot in cover to stanchion of picture light.

WARNING! Assure all wires are properly secured and insulated with wire nuts before applying 110V to junction box.

12. Apply 110V to junction box to insure proper operation.