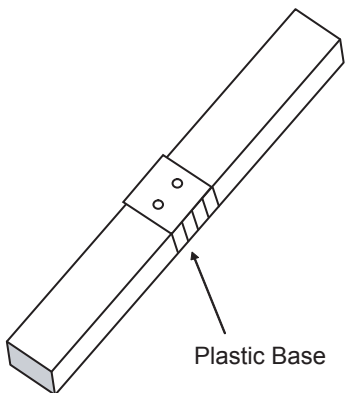
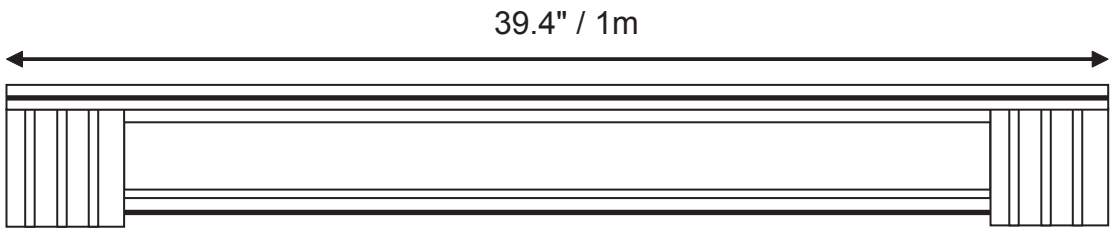
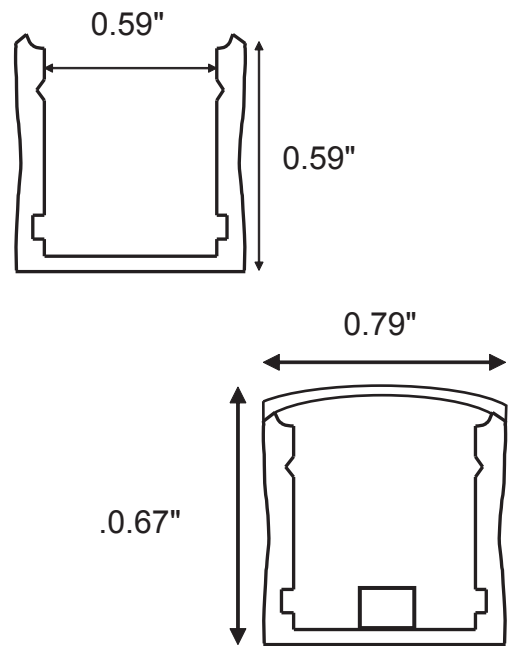


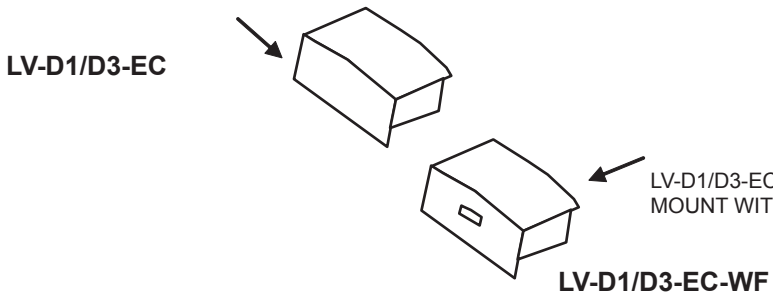
Specifications

Extrusion Profile Aluminum
 Lens Frosted PC
 Length 39.4" / 1 meter



LV-D1/D3-MC
 Mounting clips for surface mount track

END CAP FOR SURFACE MOUNT TRACK WITHOUT WIRE LEAD PROVISION



LV-D1/D3-EC END CAP FOR SURFACE MOUNT WITH WIRE LEAD PROVISION

Revisions:

4		
3		
2		
1		



Project:

Part number: LV-LB-D3-FR

Scale: NTS

Product: 1 METER SURFACE MOUNT ALUM. EXTRUSION

Type:

Date: