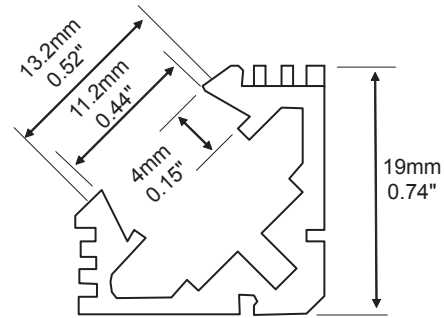
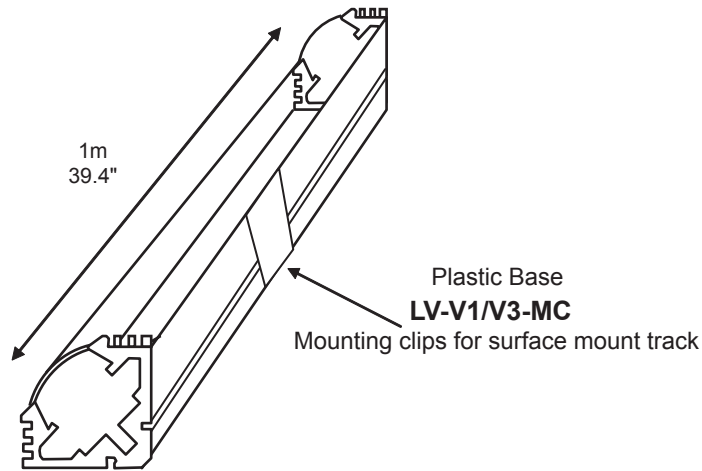
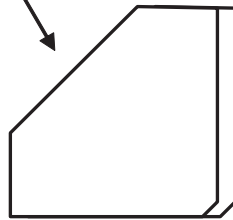


## Specifications

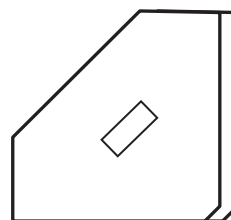
Extrusion Profile Aluminum  
 Lens Frosted PC  
 Length 39.4" / 1m



**LV-V1/V3-EC**  
 END CAP FOR CORNER SURFACE MOUNT TRACK WITHOUT WIRE LEAD PROVISION



**LV-V1/V3-EC-WF**  
 LV-D1/D3-ECEND CAP FOR CORNER SURFACE MOUNT WITH WIRE LEAD PROVISION



Revisions:

4		
3		
2		
1		



Project:

Part number: LV-LB-V3-FR

Scale: NTS

Product: 1 METER CORNER MOUNT ALUM. EXTRUSION

Type:

Date: