

**SPECIFICATIONS**

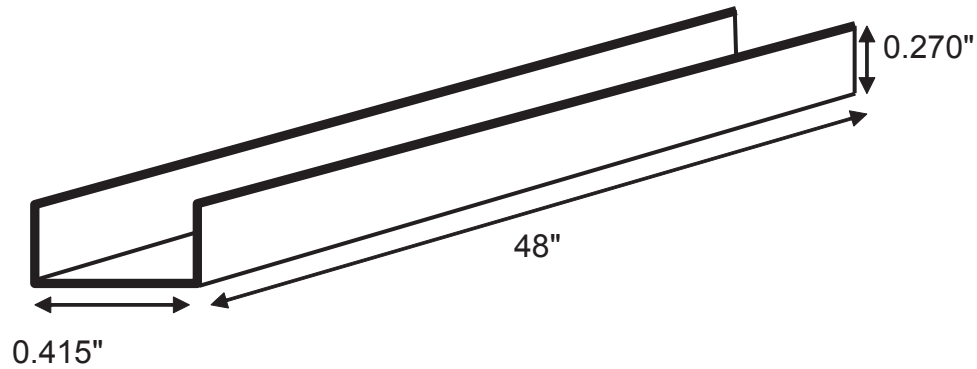
**Material:** PVC

**Length:** 48"

**Width:** 0.016"

**Height:** 0.010"

0.035"



Revisions:

4		
3		
2		
1		



Project:

Part number: LTP-010-S

Scale: NTS

Product: PLASTIC MOUNTING CHANNEL 4FT

Type:

Date: