

The adjustable LED gimbal fixtures are 80% more efficient than incandescent luminaires and they are available in multiple trim finish options to match any style of decor.



Features

- Energy efficient – up to 80% energy savings
- High Brightness COB LED's
- Low power consumption
- Warm White and Neutral White color temperatures
- Available in two beam angles
- New Construction, IC and remote installations
- cETLus listed for direct contact with insulation and combustible materials
- Easy to install, modular design
- 50,000 hour life
- 3 year limited warranty

Specifications

Power Consumption	9W
Input Voltage	21V DC*, 320mA constant current
Beam Angle	25/36°
Color Temperature	
Warm White	3000 K
Neutral White	4000 K
Lumens	
Warm White	650
Neutral White	700
Size	1.7" x 3.8"(43 x 95.5mm)
Approvals	cETLus listed for damp locations

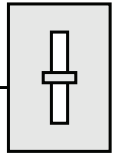
Ordering Code

GDL - 3 - 9W - - -

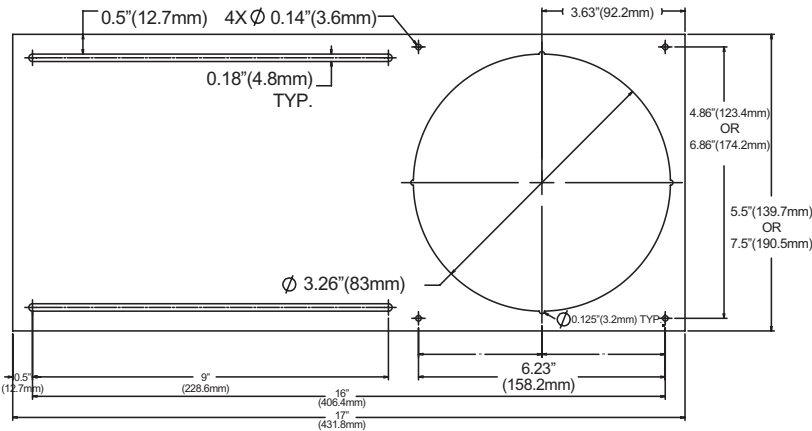
Beam Angle: (25 - 25 degrees, 36 - 36 degrees)
 LED Color: (WW - Warm White, NW - Neutral White)
 Finish: (WH - White Gloss Enamel, BL - Black, BZ - Bronze, SN - Satin Nickel)

NOTE: WH finish is stock, all other options are special order, MOQ required.

Project		Type	
Date		Contact	
Notes			



Construction Plate



Note: this item is sold separately.

Compatible dimmers

Dimmable to 5% with most standard dimmers

Lutron	C.L™ Dimmers
	DVELV-300
	SELV-3600P
	NTELV-300/600
	MAELV-300/600
Leviton	MRF2-6ND-120
	VPE04
	6615
	VPE06
	VRE06
	6672
	6674
	IPE04

