

The adjustable LED gimbal fixtures are 80% more efficient than incandescent luminaires and they are available in multiple trim finish options to match any style of decor.

UL2108 Certified



### Features

- Energy efficient – up to 80% energy savings
- High Brightness COB LED's
- Low power consumption
- Warm White and Neutral White color temperatures
- Available in two beam angles
- New Construction, IC and remote installations
- cETLus listed for direct contact with insulation and combustible materials
- Easy to install, modular design
- 50,000 hour life
- 3 year limited warranty

### Specifications

Power Consumption	12W
Input Voltage	42V DC, 280mA constant current
Beam Angle	25/36°
Color Temperature	
Warm White	3000 K
Neutral White	4000 K
Lumens	
Warm White	720
Neutral White	780
CRI	90+
Size	1.97" x 5.1" (50 x 129.5mm)
Approvals	cETLus listed for damp locations

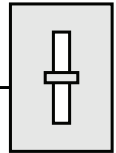
### Ordering Code

GDL - 4 - 12W -  -  -

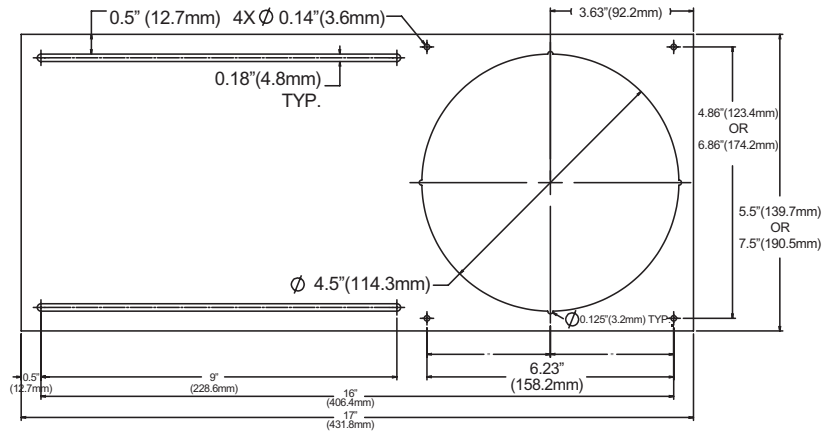
Beam Angle: 25 - 25 degrees, 36 - 36 degrees  
LED Color: WW - Warm White, NW - Neutral White  
Finish: WH - White Gloss Enamel, BL - Black, BZ - Bronze, SN - Satin Nickel

NOTE: WH finish is stock, all other options are special order, MOQ required.

Project		Type	
Date		Contact	
Notes			



**Construction Plate**



Note: this item is sold separately.

