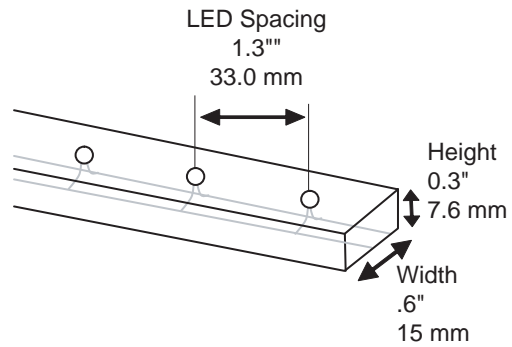


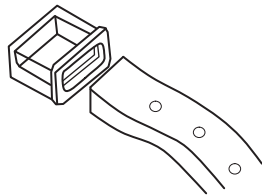


Specifications

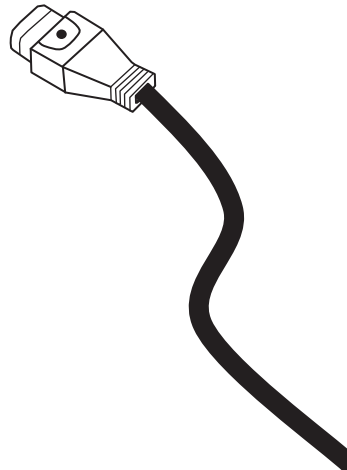
Dimensions	3" X .6" (15mm x 7.6mm)
PVC body color	Clear
LED spacing	1.3" (33mm)
Color Specifications	RGB
Voltage	24 volt
Cutting Lengths	8" (198mm)
Maximum Length	40' (12m)
Power Consumption	2.2 watts/ft
Average LED Life	40,000 hours rated life at L70
Beam Angle	120°
Min/Max Surface temperature for Mounting	-40°C – 40°C (-40°F – 104°F)



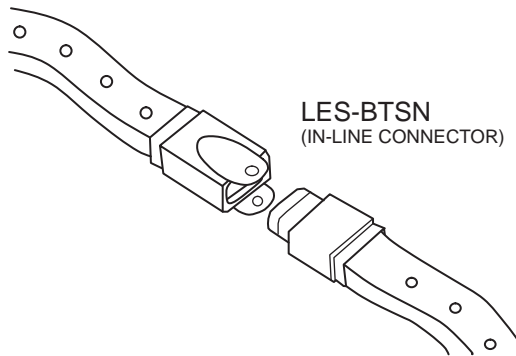
LES-STCN
(END CAP)



LES-BTMC-XX
(POWER CONNECTOR)



LES-BTSN
(IN-LINE CONNECTOR)



Revisions:

4		
3		
2		
1		



Project:

Part number: LES-XX-RGB

Scale: NTS

Product: LED RGB eSTRIP 24V

Type:

Date: