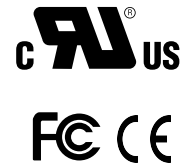
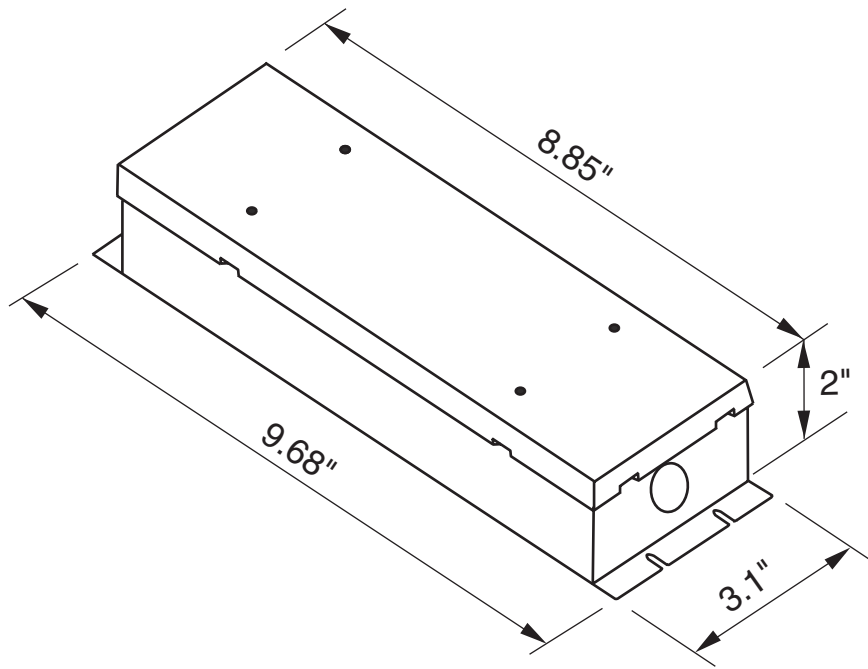


SPECIFICATIONS

Voltage input	100-240VAC
Max. input current	1.4A @ 100VAC input
Frequency range	50/60Hz
Rating	IP65
Max power	60W
Voltage output	12VDC
Dimmable	No
Operating Temperature	68°F to +140°F full load



Project		Type	
Date		Contact	
Notes			