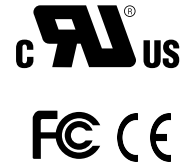
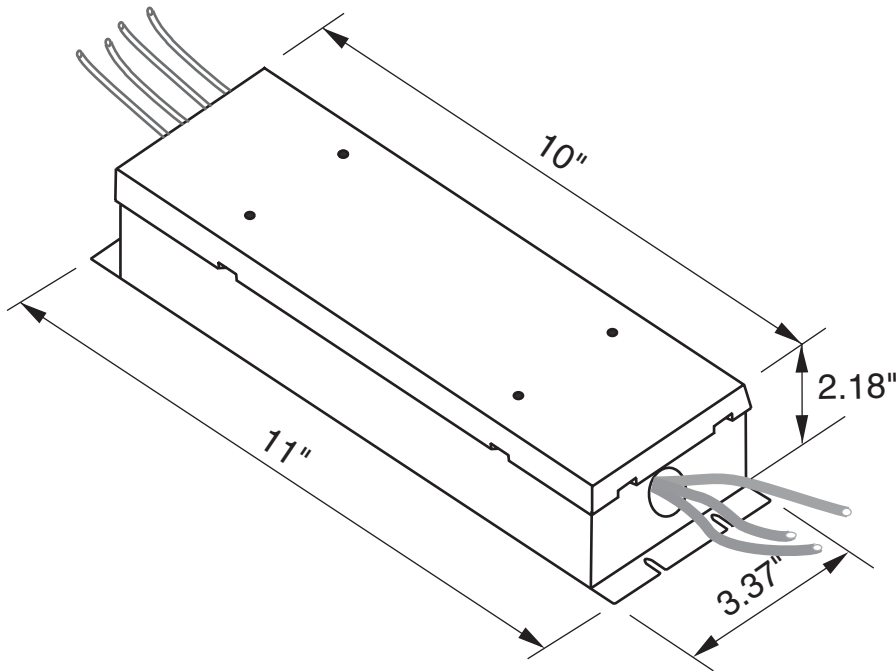


SPECIFICATIONS

Voltage input	90-264VAC
Max. input current	1.6A @ 100VAC input
Frequency range	44-63Hz
Power factor	99% Typ.
Rating	IP65
Output	2 channels @ 60Watt each
Max power	120W both channels combined
Voltage output	24VDC
Operating temperature	68°F to +140°F full load
Cooling	Convection



DC Output wires		AC Input wires	
Color	Output	Color	Input
Red	Channel 1	White	Neutral
Red	Channel 2	Black	Line
Black	DC GND return	Green	AC GND
Black	DC GND return		

Project		Type	
Date		Contact	
Notes			