

WARNING AND CAUTIONS

TO REDUCE THE RISK OF FIRE, ELECTRIC SHOCK OR INJURY TO PERSONS:

1. Turn off/unplug before mounting or interconnecting Hard Strip bar(s)
2. Do not look directly into LEDs when lit.
3. Do not operate fixture bar(s) with missing or damaged parts.
4. Do not install fixture bar(s) in any unventilated compartment.
5. Use only the following NSL supplied LED Drivers listed for use with LED Hard Strip.
Product codes: LV-HSDR-36-24-PC, LV-HSDR-60-24-PC, TRE24L40DC, TRE24L96DC, and LEDDR-24-120W. (See Power Supply List on following page for maximum and minimum recommended load per driver.)
6. Use only NSL power feed or connectors to join fixtures to LED Driver and to interconnect fixtures.
7. Dry location only. Cabinet, shelf, or wall mounts.
8. Securely mount each Bar with included mounting clips and screws.
9. Our 24 Volt Direct Current dimmable LED power supplies are designed to work with most 'stand alone' low voltage dimmers. A recommended dimmer list is as follows:
LUTRON "Skylark" SLV-600P, (C-L) SLCL-153P
"Diva" DVLV-600PH, (C-L) DVCL-153P
"Maestro" (C-L) MACL-153M
Carefully follow the dimmer instructions and dimmable LED power supply instructions.
10. Properly dispose of all small parts and packing material. Small parts and packing material may be hazardous to children.
11. Install in accordance to manufacturer's instructions, current local codes, and/or the current National Electric Code (NEC).

SPECIFICATIONS

Bar Length: LV-HS-PD20-24V-30-XX = 11 13/16" (30cm)
LV-HS-PD20-24V-50-XX = 19 11/16" (50cm)
LV-HS-PD20-24V-100-XX = 39 3/8" (100cm)
LV-HS-PD20-24V-120-XX = 47 1/4" (120cm)

Bar Finish: Aluminum with frosted Lens

Power feed lengths: 12" (30.48cm), 39" (99cm)

Extension connector lengths (between fixtures):
3" (7.62cm), 12" (30.48cm), 39" (99cm)

Bar Wattage: LV-HS-PD20-24V-30-XX = 4w/bar
LV-HS-PD20-24V-50-XX = 7w/bar
LV-HS-PD20-24V-100-XX = 13w/bar
LV-HS-PD20-24V-120-XX = 16w/bar

XX - LED Color Temperature

Power Supplies:

Non-Dimmable

LEDDR-24-120W

LV-HSDR-36-24-PC, LV-HSDR-60-24-PC

Dimmable

TRE24L40DC Max 36 watt, Min 8 watt
TRE24L96DC Max 90 watt, Min 8 watt

Voltage: 24 volt direct current

Warranty: Three Year

Average LED lamp life: 40,000 hours,
70% initial lumen output

LED Color Temperature: WW - 3000K +/- 200K
NW - 4200K +/- 200K

Agency Approval: cETLus listed for wall or cabinet mount, dry location only. Refer to above power supply list of available drivers and ratings.

INSTALLATION AND
SAFETY INSTRUCTIONS

Gen 2 LED Hard Strip



Applications

- Shelves
- Display Cases
- Under Cabinets
- Accent Lighting
- Work Stations
- Linear interior decorative lighting

www.nslusa.com

NSL

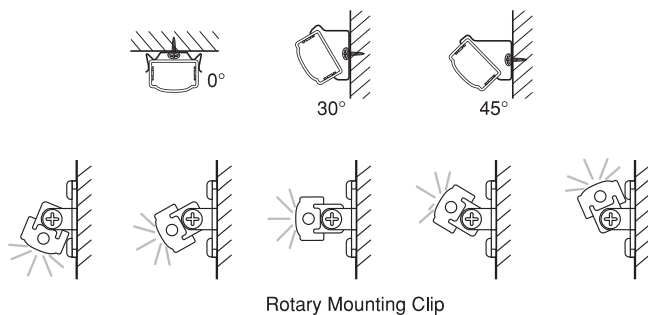


INSTALLATION GUIDE

- Each LED Hard Strip Bar ships complete with the fixture, two mounting clips, and mounting screws.
- The complete system includes an LED Power feed, extension connectors to interconnect the system (if required), and the Bars.
- Lay out the entire system without mounting any of the parts. With the system laid out, make sure you have all the required parts keeping in mind the following limitations:
 - If using plug in power supply (NSL part number LV-HSDR-36-24-PC, LV-HSDR-60-24-PC) the LED Power Supply must be mounted within 5 feet of wall outlet.
 - Do not exceed the rated number of watts per power supply.
 - Do not exceed more than 91 feet of total extension cords between the LED Power Supply and the last fixture in the system.
- Install fixtures as per the following:
 - Position fixture in desired location and mark mounting clip locations.
 - Secure mounting clips with wood screws (provided)
 - Position fixture in desired location and snap Hard Strip Bar into mounting clips.
- Interconnect LED Power Supply to the bar by plugging the low voltage wire from power supply into end of the first bar.
- Interconnect additional bars from the first by plugging into opposite end of each bar or using joiner connectors from the first bar into additional bars. See diagram and keep in mind the limitations outlined in #3 above.

NOTE: See maximum LED Fixture connection per power supply under specifications.

MOUNTING OPTIONS



INSTALLATION DIAGRAM

