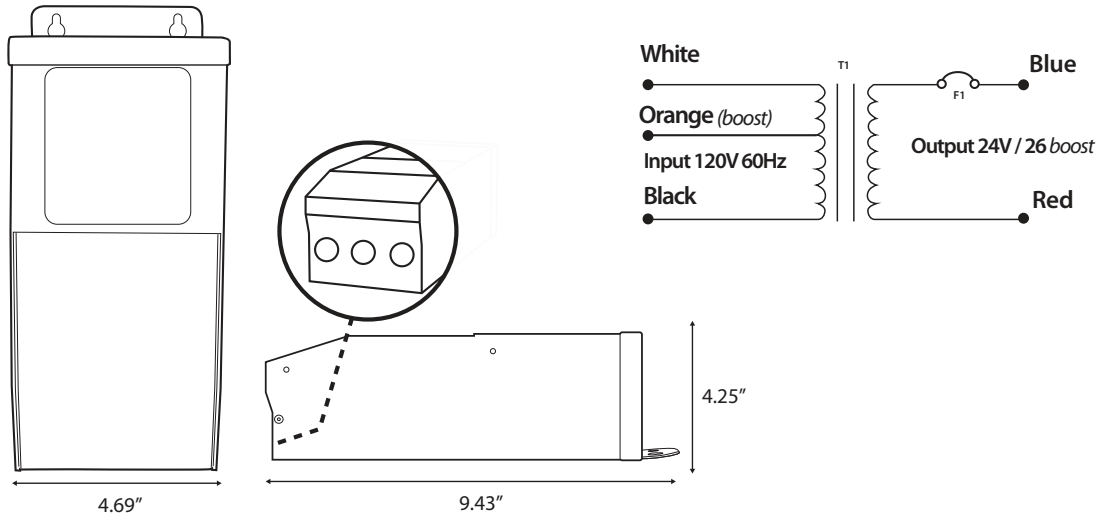


24V AC, 960W outdoor & indoor magnetic transformer.



Features

- Manual reset thermal circuit breaker on the secondary side.
- Dimmable with any standard MLV TRIAC dimmer.
- cULus and cETLus listed
- NEMA 3R enclosure

Specifications

Max Load	960W
Input Voltage	120V AC
Input Current Full Load	5.1 A
Output Voltage Full Load	23V AC
Max Output Current Full Load	41 A
Open Circuit Output Voltage	25V AC
Efficiency	93%
Max. Ambient Temperature	-30°C to 50°C
Min. Installation Space Between Drivers	5"
Thermal Class	B130°C
Leads Primary	PVC 600V #18
Leads Secondary	PVC 300V #12
Dimensions L*W*H	10.6 in. x 6.75 in. x 5.44 in. (269.24 mm x 171.45 mm x 138.17 mm)
Weight	30 lbs.

Ordering Code

TR - 24 - 960

Project		Type	
Date		Contact	
Notes			