

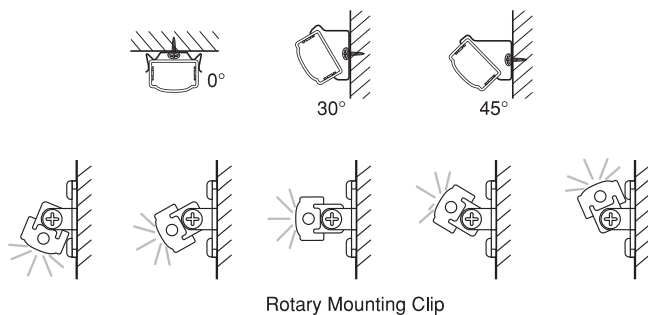


## INSTALLATION GUIDE

- Each LED Hard Strip Bar ships complete with the fixture, two mounting clips, and mounting screws.
- The complete system includes an LED Power feed, extension connectors to interconnect the system (if required), and the Bars.
- Lay out the entire system without mounting any of the parts. With the system laid out, make sure you have all the required parts keeping in mind the following limitations:
  - If using plug in power supply (NSL part number LV-HSDR-36-24-PC, LV-HSDR-60-24-PC) the LED Power Supply must be mounted within 5 feet of wall outlet.
  - Do not exceed the rated number of watts per power supply.
  - Do not exceed more than 91 feet of total extension cords between the LED Power Supply and the last fixture in the system.
- Install fixtures as per the following:
  - Position fixture in desired location and mark mounting clip locations.
  - Secure mounting clips with wood screws (provided)
  - Position fixture in desired location and snap Hard Strip Bar into mounting clips.
- Interconnect LED Power Supply to the bar by plugging the low voltage wire from power supply into end of the first bar.
- Interconnect additional bars from the first by plugging into opposite end of each bar or using joiner connectors from the first bar into additional bars. See diagram and keep in mind the limitations outlined in #3 above.

**NOTE: See maximum LED Fixture connection per power supply under specifications.**

## MOUNTING OPTIONS



## INSTALLATION DIAGRAM

