

# LED Brick Star

## GEN II

LED Brick Star provides a safe, attractive and affordable way to light stairs, aisles, paths and entrance ways. LED Brick Star delivers excellent performance at an affordable price. The LED Brick Star has been uniquely designed to the specific size of a standard brick. This provides the perfect solution for those applications where a more linear fixture is required.



**Anywhere that requires security or safety lighting in an aesthetically pleasing manner!**

### FEATURES

- 40,000-hour LED life
- Ultra low 5.2 watt energy usage per fixture
- CRI 80+
- Lumen output: 468LM
- 120VAC power input
- Up to 150 LED Brick Star lights per 120VAC tap
- Die cast aluminum can and cover
- Available in fluorocarbon can with stainless steel louver cover
- Fits into any standard brick, or in any void sized 7 3/4" x 2 1/2" x 3 1/4" (196.6mm x 63.5mm x 82.6mm)
- cETLus listed for indoor and outdoor applications including wet, IC, concrete pour, ceiling and shower locations
- Dimmable with most forward phase TRIAC dimming systems
- 3 year limited warranty

### APPLICATIONS

- Brick walls
- Exterior steps
- Interior steps
- Aisles
- Halls
- Paths
- Patio lighting
- Entry lighting
- Ceilings
- Showers

**NOTE:** When installing LED Brick Star in harsh environments (such as limestone, salted areas, coastal environments, etc.) please use the stainless steel version to avoid the risk of corrosion to the body of the fixture.

### SPECIFICATIONS

Electrical	120V AC, 5.2W
Wiring Options	120V AC hardwire - can be daisy chained up to 150 fixtures per 15A circuit
LED Life	40,000 hours
Lumen Output	468LM
Color Temperature	3000K +/-200
CRI	80+
LED Colors	White
Can Finish	Powder Coated White or Fluorocarbon Lacquer (Stainless Steel)
Cover Finish	White, Black, Bronze, Aluminum or Stainless Steel finish only available in Louver cover
Lens	Frosted Tempered Glass
Approvals	cETLus listed for wall, ceiling, wet and IC locations

### PRODUCT CODES

**LBR - II - X - WH - YY**

<b>LED Brick Star</b> Gen II	<b>COVER</b> P - Prism S - Scoop L - Louver	<b>COLOR OF LED</b> 3000K	<b>COVER FINISH</b> WH - White BK - Black BZ - Bronze AL - Aluminum SS - Stainless Steel
---------------------------------	--	------------------------------	---

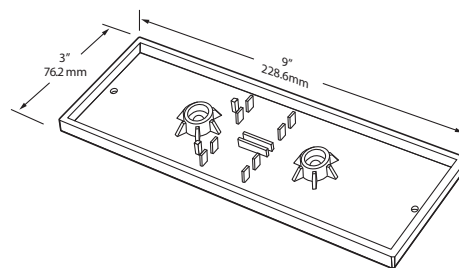
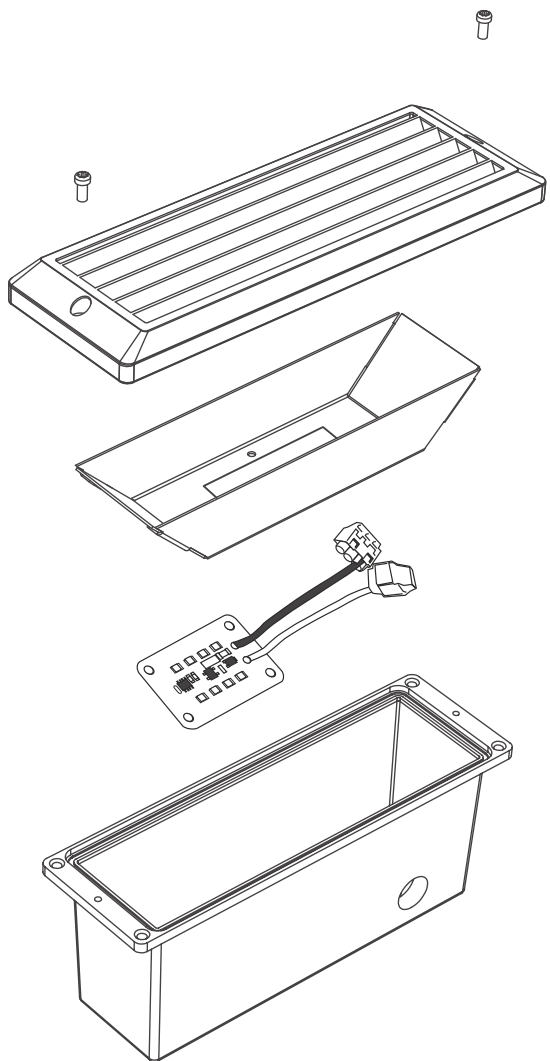
NOTE: Stainless Steel finish available in Louver cover only.

### REPLACEMENT KIT LBR-II-KIT

### CONCRETE CAP BL-CC

Concrete cap for concrete pour installations

NOTE: For outdoor installations, a 1/2" strain relief cord connector is recommended.



**Concrete Cap**  
for concrete pour installations

Product Code: **BL-CC**

IMPORTANT: It is recommended that you use National Specialty Lighting's Concrete Cap for concrete pour installations. These caps assist in providing a proper reveal for flush mount of fixture cover after concrete is dry.

