

# Round LED Surface Mount Down Lights

LED Surface Mount Down Light is a low-profile down light intended for ceiling mount applications. Features driver on board (DOB) technology, with no external driver needed. These flush mount LED ceiling lights mount directly into a 4" junction box. Ideal for general LED Lighting in residential and commercial applications.



## FEATURES

- Driver on Board Technology, provides a 120V alternating current source and eliminates the need for traditional LED driver
- Quick & easy to install on standard junction box, ceiling mount with mounting plate
- Temperature rating: -20°C-40°C
- Die-cast aluminum housing
- Smooth and continuous dimming, dimmable with most ELV dimmers
- Rated for 50,000 hours
- No light bulbs to replace or dispose
- Instant full brightness (including in sub-zero temperatures)
- 80+ CRI
- cETLus listed for wet locations
- 5 year limited warranty

## RESIDENTIAL APPLICATIONS

- Kitchens
- Pantries
- Laundry rooms
- Under soffits (outdoor)

## COMMERCIAL APPLICATIONS

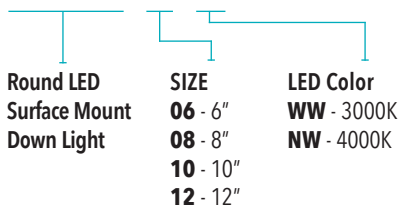
- Lobbies
- Hallways
- Banquet halls
- Elevators
- Stairways
- Retail
- Restaurants
- Office lighting
- Under cabinet
- In cabinet
- Wall mount for egress lighting
- Under soffits (outdoor)

## SPECIFICATIONS

	LVLDL-SR-06-XX-WH-L	LVLDL-SR-08-XX-WH-L	LVLDL-SR-10-XX-WH-L	LVLDL-SR-12-XX-WH-L
LED Color	White			
Color Temperature CCT	3000K / 4000K			
Input Voltage	120V			
Power Consumption (W)	11	14	17	22
Lumens				
WW	880	1000	1200	1800
NW	900	1050	1250	1850
Luminous Efficacy (LPW)				
WW	80	71	70	82
NW	82	75	73	84
Color Rendering Index	>80			
Dimmable	Yes			
Life Span (hours)	50,000 hrs			
LEDs	Epistar			
Appearance Size	6" D x 1" H (152mm D x 25mm H)	8" D x 1" H (203mm D x 25mm H)	10" D x 1" H (254mm D x 25mm H)	12" D x 1" H (305mm D x 25mm H)

## PRODUCT CODES

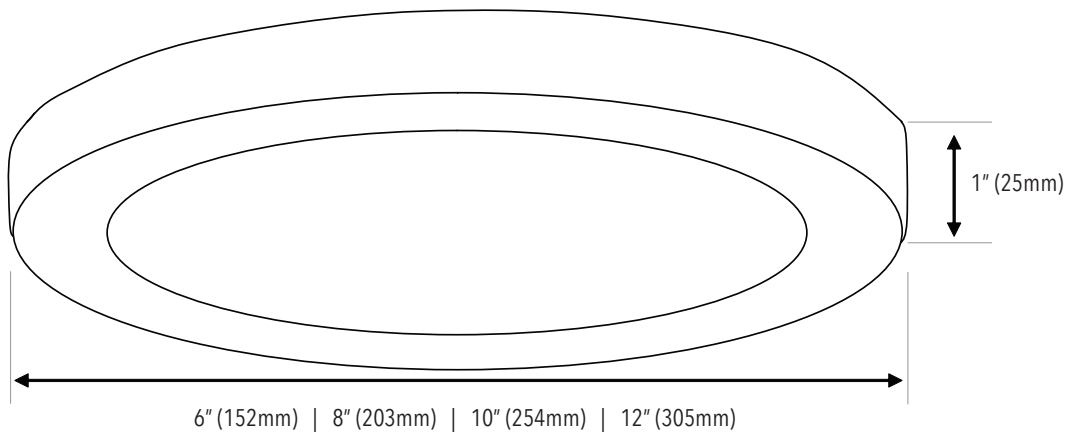
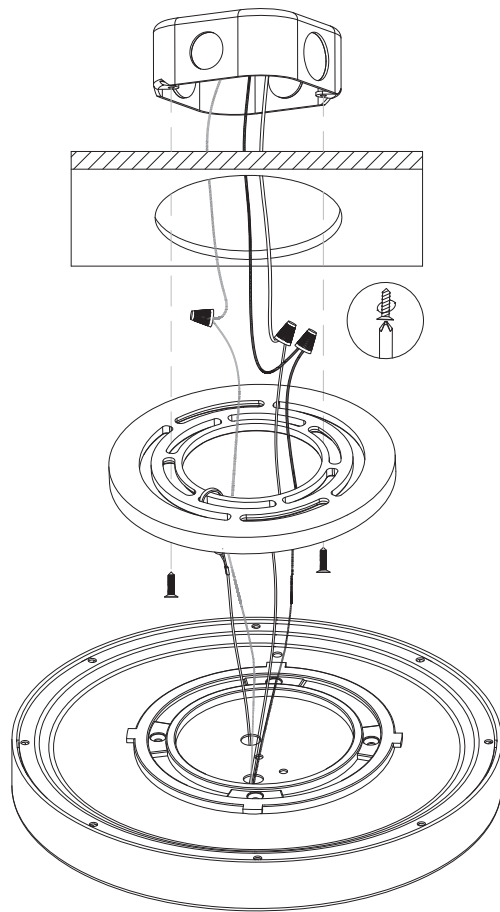
LVLDL - SR - YY - XX - WH - L



## ROUND TRIM RINGS (Sold Separately)

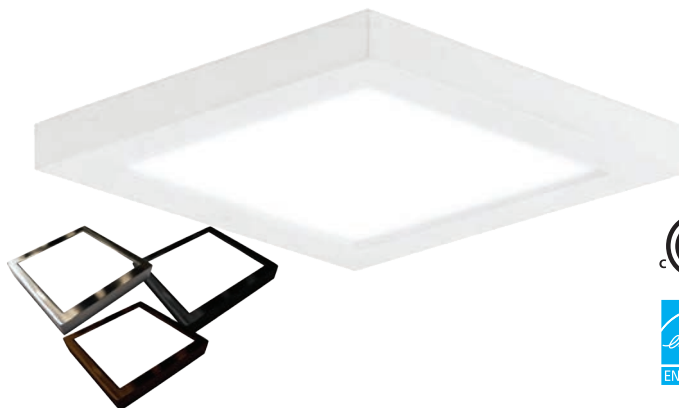
- LVLDL - SR - **06** - TR - **XX** - L
- LVLDL - SR - **08** - TR - **XX** - L
- LVLDL - SR - **10** - TR - **XX** - L
- LVLDL - SR - **12** - TR - **XX** - L

- TRIM RING FINISH**
- BK** - Black
  - BZ** - Bronze
  - BN** - Brushed Nickel



# Square LED Surface Mount Down Lights

LED Surface Mount Down Light is a low-profile down light intended for ceiling mount applications. Features driver on board (DOB) technology, with no external driver needed. These flush mount LED ceiling lights mount directly into a 4" junction box. Ideal for general LED Lighting in residential and commercial applications.



## FEATURES

- Driver on Board Technology, provides a 120V alternating current source and eliminates the need for traditional LED driver
- Quick & easy to install on standard junction box, ceiling mount with mounting plate
- Die-cast aluminum housing
- Smooth and continuous dimming, dimmable with most ELV dimmers
- Temperature rating: -20°C-40°C
- No light bulbs to replace or dispose
- Instant full brightness (including in sub-zero temperatures)
- 80+ CRI
- cETLus listed for wet locations
- Interchangeable brushed nickel, black and bronze trim rings available (sold separately)

## RESIDENTIAL APPLICATIONS

- Kitchens
- Pantries
- Laundry rooms
- Under soffits (outdoor)

## COMMERCIAL APPLICATIONS

- Lobbies
- Hallways
- Banquet halls
- Elevators
- Stairways
- Retail
- Restaurants
- Office lighting
- Under cabinet
- In cabinet
- Wall mount for egress lighting
- Under soffits (outdoor)

## SPECIFICATIONS

	LVLDL-SS-06-XX-WH-L	LVLDL-SS-08-XX-WH-L	LVLDL-SS-10-XX-WH-L	LVLDL-SS-12-XX-WH-L
LED Color	White			
Color Temperature CCT	3000K / 4000K			
Input Voltage	120V			
Power Consumption (W)	11	14	17	22
Lumens				
WW	880	1000	1200	1800
NW	900	1050	1250	1850
Luminous Efficacy (LPW)				
WW	80	71	70	82
NW	82	75	73	84
Color Rendering Index	>80			
Dimmable	Yes			
Life Span (hours)	50,000 hrs			
LEDs	Epistar			
Appearance Size	6" D x 1" H (152mm D x 25mm H)	8" D x 1" H (203mm D x 25mm H)	10" D x 1" H (254mm D x 25mm H)	12" D x 1" H (305mm D x 25mm H)

## PRODUCT CODES

LVLDL - SS - YY - XX - WH - L

Square LED  
Surface Mount  
Down Light

SIZE  
06 - 6"  
08 - 8"  
10 - 10"  
12 - 12"

LED Color  
WW - 3000K  
NW - 4000K

SQUARE TRIM RINGS (Sold Separately)

- LVLDL - SS - 06 - TR - XX - L
- LVLDL - SS - 08 - TR - XX - L
- LVLDL - SS - 10 - TR - XX - L
- LVLDL - SS - 12 - TR - XX - L

TRIM RING FINISH

- BK - Black
- BZ - Bronze
- BN - Brushed Nickel

