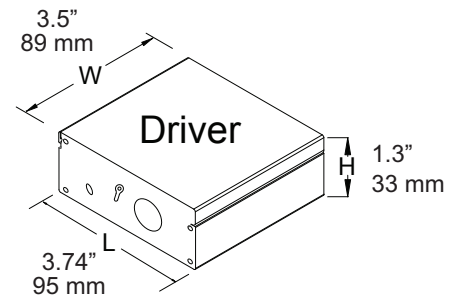
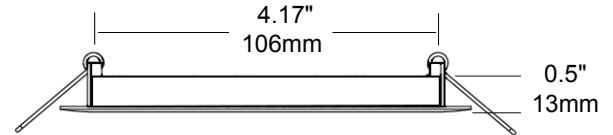
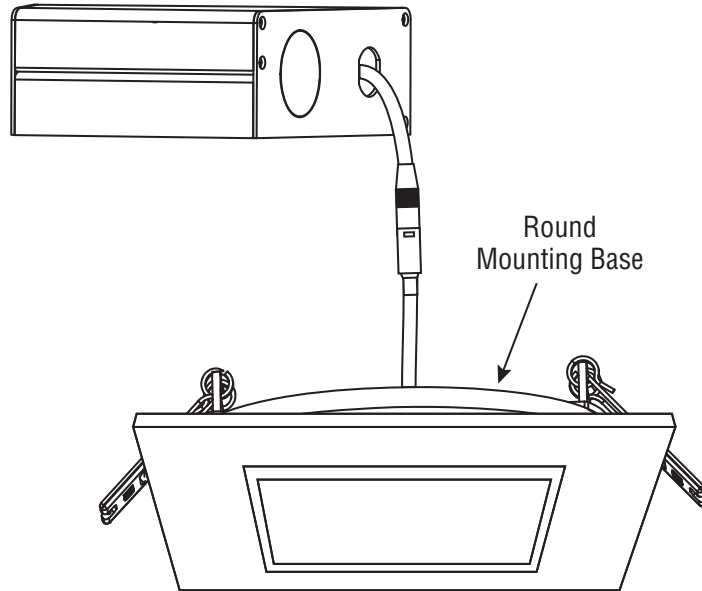


4", 9 watts LED Thin-Line Square Down Light. Designed for remodel and new construction, wet locations listed, Thin Line Downlights are a versatile and affordable choice for countless applications.



**Features**

- Energy Star rated - up to 80% energy savings
- Dimmable to 5% with most standard dimmers
- 120° beam spread
- Warm White and Neutral White color temperatures
- Two spring loaded clips to attach to any ceiling material
- White finish (interchangeable brushed nickel, black, bronze trims available - sold separately)
- Wet locations listed
- No IC can required, for direct contact with insulation and combustible materials
- Temperature rating: -20°C-45°C
- Connects directly to 120V power supply
- Optional 277V Step-Down Transformer (non-dimmable)
- 50,000 hour life
- 5 year limited warranty
- Airtight
- cETLus and Energy Star listed

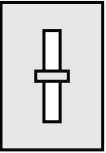
**Specifications**

LED Color	White
CCT	WW (3000K) NW (4000K)
Input Voltage	100 - 120 V, 60 Hz
Output Power(W)	9 Watts
No. SMD2835 LEDs	48
Lumen (lm)	630 lm
CRI	>80
Luminous Efficacy (lm/W)	70 lm/w
Approved Location	Wet
Life Span	> 50,000 hrs
Appearance Size	4.73" W x 0.5" D (120mm W x 13mm D)
Installation Hole Size	4.33" (110mm)

**Ordering Code:**

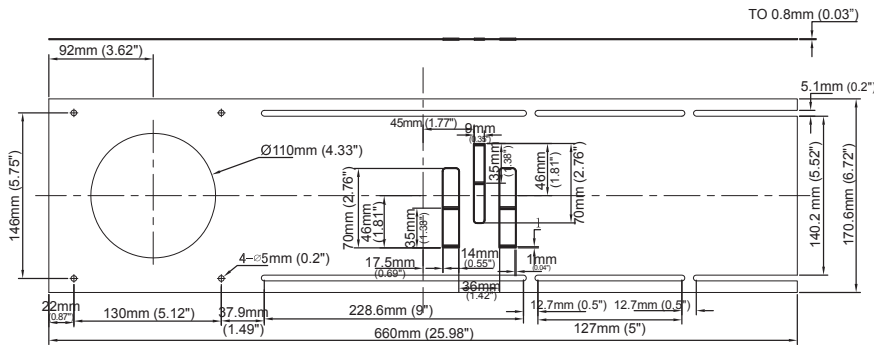
LVLDL-04S-XX-WH-R-L3

Project		Type	
Date		Contact	
Notes			



4", 9 watts LED Thin-Line Square Down Light. Designed for remodel and new construction, wet locations listed, Thin Line Downlights are a versatile and affordable choice for countless applications.

**LVLDL-CP-4-L3**  
Construction Plate



Note: this item is sold separately.

**Compatible dimmers**

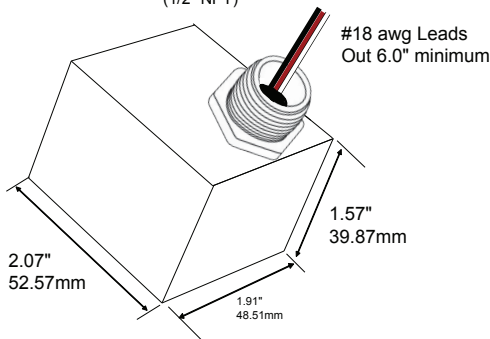
Dimmable to 5% with most standard dimmers

Lutron	C.L™ Dimmers
	DVELV-300
	SELV-3600P
	NTELV-300/600
	MAELV-300/600
Leviton	MRF2-6ND-120
	VPE04
	6615
	VPE06
	VRE06
	6672
	6674
IPE04	



**DLT-277  
(non-dimmable)**

Approx. Dimensions  
- 0.47" threads above  
0.13" shoulder  
- Nipple Dia. 0.82"  
(1/2" NPT)



**277V Specifications**

Primary / Input	277V, 60Hz, 28W, 0.08A @ Full / Rated Load.
Secondary / Output	- Open Circuit = 130V ±2%, 0.4W - Full / Rated Load = 115V ±2%, 25VA (25W/ 0.22A resistive load)
Dielectric Strength	Winding to core 3000V, 60Hz, 1 sec.
Efficiency	88% typ. @ 277Vin, 25VA load.
Insulation System	Class A (105°C)
Environmental Temperature Rating	-20°C to + 40°C
MTBF (based on MIL Handbook 217F)	50 years @ rated specification.
Housing	Black Zytel FR50 (plastic)
Approvals	UL Listed to CSA C22.2 No. 66.1, 66.2 and UL5085-1, UL5085-2
Weight	0.75lbs.