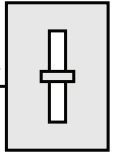


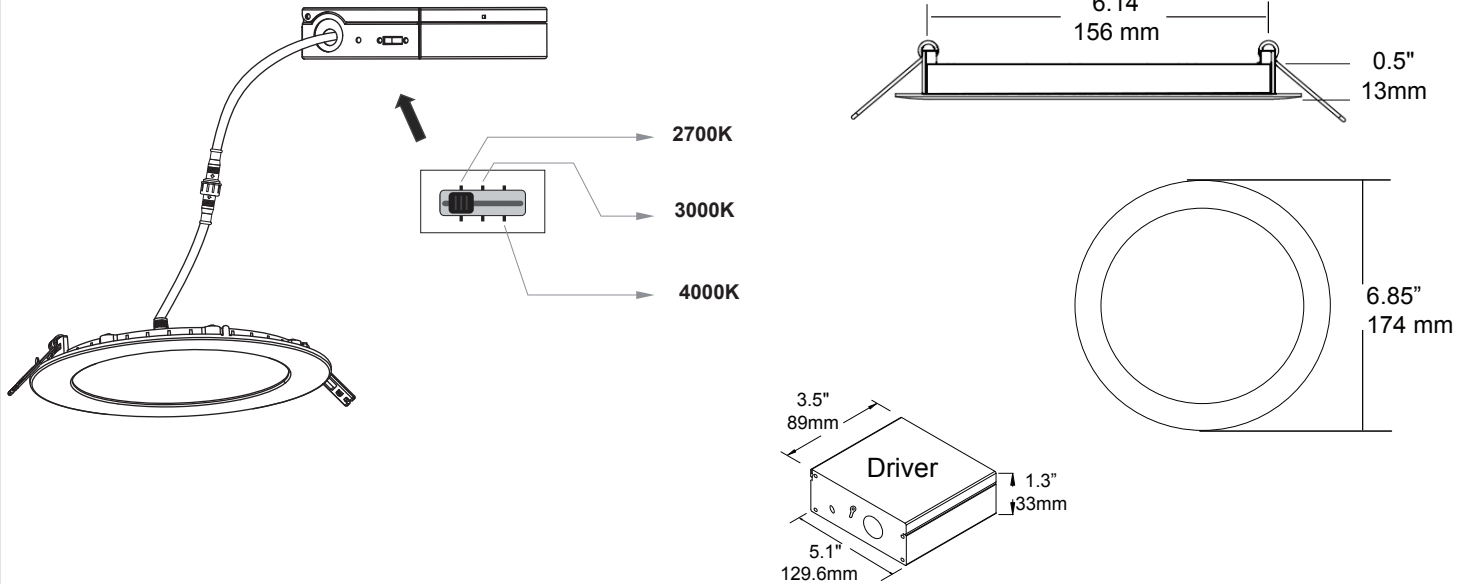
3 Color Temperature Thin-Line LED Down Light



DIMMABLE



6", 12 watts Thin-line LED Down Light. Designed for remodel and new construction, wet locations listed, Thin Line Downlights are a versatile and affordable choice for countless applications.



Features

- Energy Star rated - up to 80% energy savings
- Dimmable to 5% with most standard dimmers
- 120° beam spread
- Adjustable colour temperature 2700K/3000K/4000K
- Two spring loaded clips to attach to any ceiling material
- White finish (interchangeable brushed nickel, black, bronze trim rings available – sold separately)
- Wet locations listed
- Temperature rating: -20°C-45°C
- No IC can required, for direct contact with insulation and combustible materials
- Connects directly to 120V power supply
- Optional 277V Step-Down Transformer (non-dimmable)
- 50,000 hour life
- 5 year limited warranty
- Airtight
- cETLus and Energy Star listed

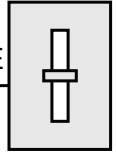
Specifications

| | |
|--------------------------|----------------------------------------|
| CCT | 2700K/3000K/4000K |
| Input Voltage | 100 - 120 V, 60 Hz |
| Output Power(W) | 12 Watts |
| No. SMD2835 LEDs | 72 |
| Lumen (lm) | 840 |
| CRI | 80+ |
| Luminous Efficacy (lm/W) | 70 lm/w |
| Approved Location | Wet |
| Dimmable | Yes |
| Life Span | > 50,000 hrs |
| Appearance Size | 6.85" W x 0.5" D (174mm W x 13mm D) |
| Installation Hole Size | 6.54" (166mm) |

Ordering Code:

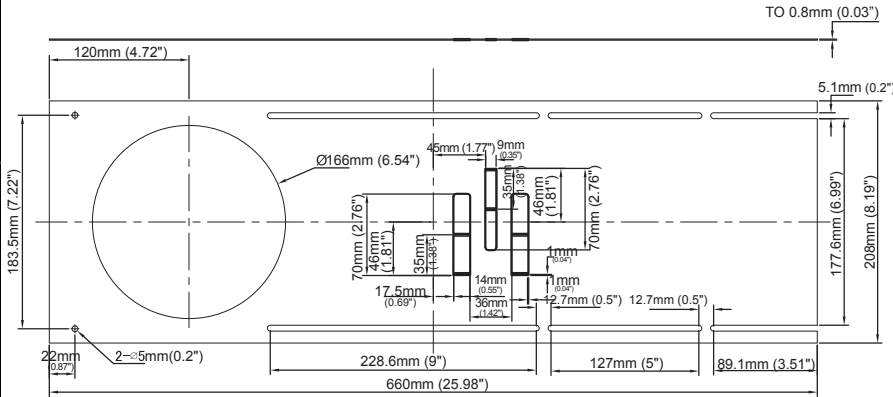
LVLDL-06-CCT-WH-R-L3

| | | | |
|---------|--|---------|--|
| Project | | Type | |
| Date | | Contact | |
| Notes | | | |



6", 12 watts Thin-line LED Down Light. Designed for remodel and new construction, wet locations listed, Thin Line Downlights are a versatile and affordable choice for countless applications.

LVLDL-CP-6-L3 Construction Plate



Note: this item is sold separately.

Compatible dimmers

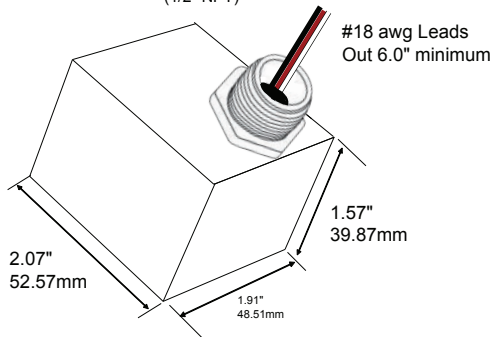
Dimmable to 5% with most standard dimmers

| | |
|---------|---------------|
| Lutron | C.L™ Dimmers |
| | DVELV-300 |
| | SELV-3600P |
| | NTELV-300/600 |
| | MAELV-300/600 |
| Leviton | MRF2-6ND-120 |
| | VPE04 |
| | 6615 |
| | VPE06 |
| | VRE06 |
| | 6672 |
| | 6674 |
| IPE04 | |



DLT-277 (non-dimmable)

Approx. Dimensions
- 0.47" heads above
- 0.13" shoulder
- Nipple Dia. 0.82"
(1/2" NPT)



#18 awg Leads
Out 6.0" minimum

Note: this item is sold separately.

277V Specifications

| | |
|--------------------------------------|-----------------------------------------------------------------------------------------------------|
| Primary / Input | 277V, 60Hz, 28W, 0.08A @ Full / Rated Load. |
| Secondary / Output | - Open Circuit = 130V ±2%, 0.4W - Full / Rated Load = 115V ±2%, 25VA (25W/ 0.22A resistive load) |
| Dielectric Strength | Winding to core 3000V, 60Hz, 1 sec. |
| Efficiency | 88% typ. @ 277Vin, 25VA load. |
| Insulation System | Class A (105°C) |
| Environmental Temperature Rating | -20°C to + 40°C |
| MTBF (based on MIL Handbook 217F) | 50 years @ rated specification. |
| Housing | Black Zytel FR50 (plastic) |
| Approvals | UL Listed to CSA C22.2 No. 66.1, 66.2 and UL5085-1, UL5085-2 |
| Weight | 0.75lbs. |