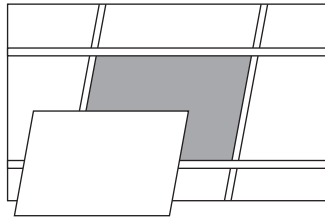


## WIRING THE FIXTURE

Figure 1  
Remove existing ceiling plaster slab



1. Turn power off from the electrical panel prior to installation.
2. Open the junction box cover on driver and remove the appropriate knockout(s) on the side panel.
3. Insert the electrical supply cable through the knockout and secure with a cable connector (sold separately).
4. Using quick-connect push-in terminals, connect the green ground wire to the green wire terminal; black wire (hot) to black wire terminal; white wire (neutral) to white wire terminal.
5. Connect to 0–10V dimmer (if applicable) and as shown on driver cover (see Figure 2).
6. Place all wiring and connections back in to the box and close the cover securely with cover screw.

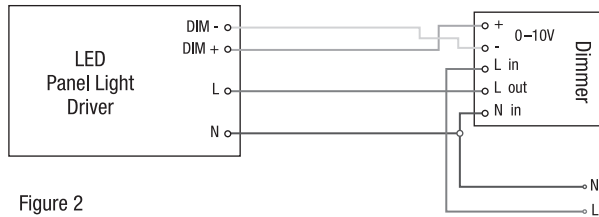


Figure 2

7. Test panel by turning on power.

## INSTALLATION OF PANEL IN T-BAR CEILING

1. Place panel securely in desired T Bar opening (see Figure 3).

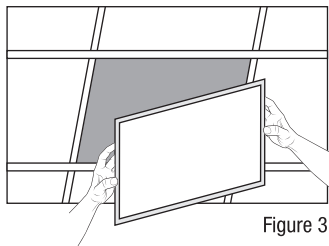
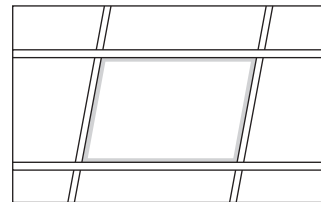
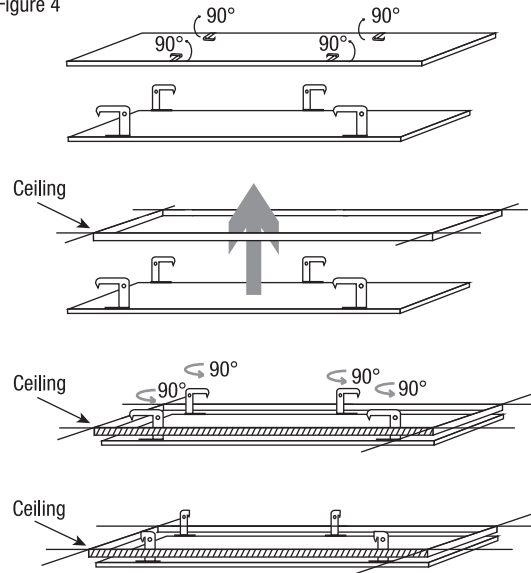


Figure 3

2. Make sure panel is securely seated in T Bar frame (see Figure 4).

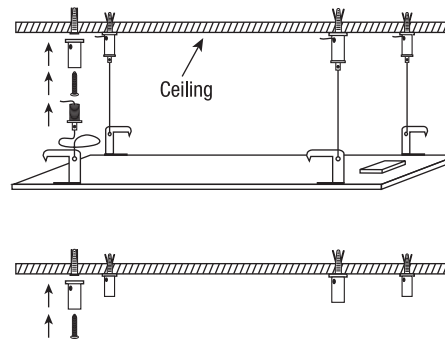
**NOTE:** Panel is supplied with metal clips that may be used to secure panel to T Bar ceiling if necessary as shown below.

Figure 4



**NOTE:** Local building codes may require panels to be secured to roof above suspended ceiling by safety cable (not supplied),

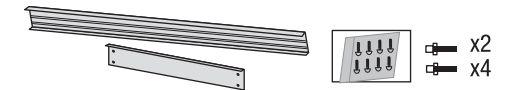
## SUSPENSION MOUNTING (KIT SOLD SEPARATELY) PL-2X2/1X4-SK, PL-2X4-SK



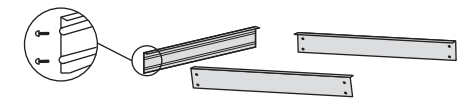
1. A) Fix the anchor into target place on the ceiling.  
B) Fix the installation mount on the ceiling with plastic anchor.

2. Hang the panel to ceiling with suspending installation kits.
3. Adjust the length of steel wire. Connect the power supply.

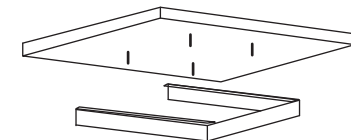
## SURFACE MOUNT KIT (KIT SOLD SEPARATELY) PL-2X2-SMK, PL-1X4-SMK, PL-2X4-SMK



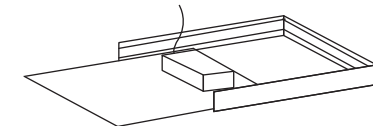
1. Unpack the box and take out aluminum profile A-2pcs, aluminum profile B-2pcs, as well as accessory pack.



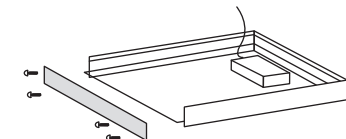
2. Assemble 3 pieces of aluminum profile with screws.



3. Fix semi-finished frame onto ceiling with screw (Concrete ceiling requires plastic anchor).



4. Connect power to panel as per wiring instructions (see WIRING THE FIXTURE) and slide panel into frame.



5. Fix the last piece of aluminum profile with screw after panel is well placed.

## SPECIFICATIONS

Input Voltage: AC100V~277V 50Hz~60Hz THD: ≤ 15 %

PF: >0.90 Non-Flicker

Power Efficiency: >90 %

LED light source: high brightness SMD2835

Temperature: 3000K, 4000K, 5000K

Rendering Index: CRI>80

Beam Angle: 120°

Material: AL+PMMA+PS

Working Temperature: -4°F~113°F (-20°C~ +45°C)

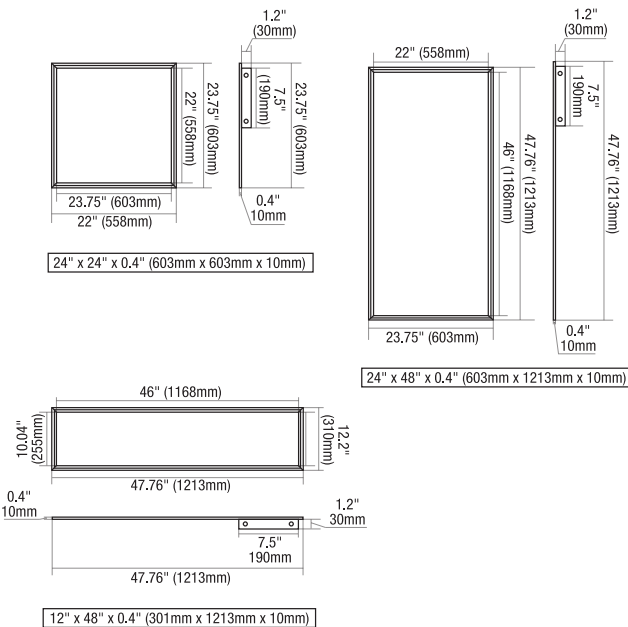
Storage Temperature: -13°F~149°F (-25°C~+65°C)

IP Grade: IP44

Working Life-span: 50,000H

	PL-2X2-40W-XX	PL-1X4-40W-XX	PL-2X4-60W-XX
Watt	40W	40W	60W
Input Voltage	100-277V AC		
Lumens	4400 (1 ± 5%)lm	4400 (1 ± 5%)lm	6600 (1 ± 5%)lm
SMD2835 LED Qty	192 pcs	192 pcs	336 pcs
Size	2 x 2ft (603 x 603mm)	1 x 4ft (1213 x 301mm)	2 x 4ft (1213 x 603mm)
Efficiency	110-120lm/w		
CCT	3000K / 4000K / 5000K		
Net Weight	8.2lbs/pc	8.4lbs/pc	15.9lbs/pc

XX = color temperature. 30 = 3000 – 3500K, 40 = 4000-4500K, 50 = 5000 – 5500K



## CAUTIONS

CAUTION! Only qualified electricians, or people familiar with household electrical circuits, should bring 120VAC power to the fixture. Wiring may require an inspection by the local building department. Check with your local building department before installation.

CAUTION! Before bringing 120VAC power to the fixture, make sure incoming wire is not "hot" and all power coming to the wire is off.

CAUTION! All connections must be made in accordance with this instructional manual, current Electrical Code, and all local building codes.

- Minimum 75C supply connectors.
- Access above ceiling required.
- Suitable for damp locations.
- Dimmable with standard 0 – 10V dimmers.

## INSTALLATION AND SAFETY INSTRUCTIONS

# LED PANEL LIGHT



Ultra-thin LED Panel Lights are available in 3 sizes, for easy installation into suspended ceilings. LED Panel Lights are super bright (up to 6600 lumens) and feature high light transmission, anti-yellowing organic glass with no expansion or deformation and high temperature resistance.

**NSL**  
NATIONAL SPECIALTY LIGHTING  
YOUR TRUSTED LIGHTING PARTNER

[www.nslusa.com](http://www.nslusa.com)

**NSL**  
NATIONAL SPECIALTY LIGHTING  
YOUR TRUSTED LIGHTING PARTNER

