

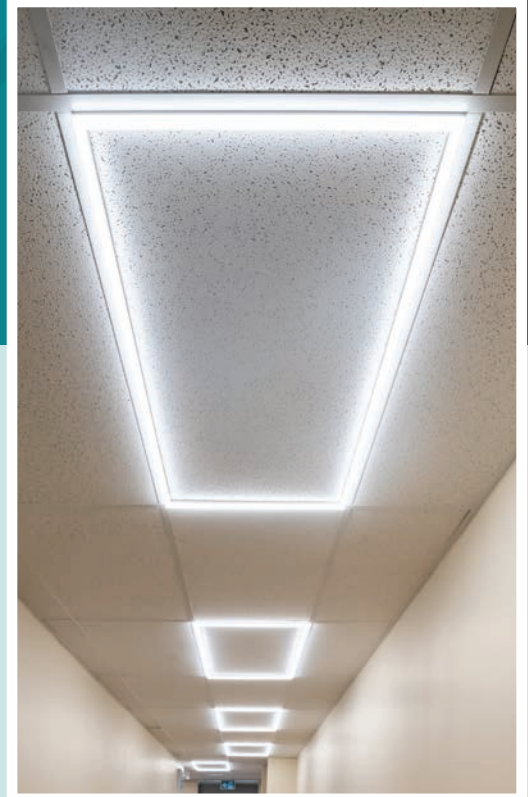
T-LED Edge Light



ACCENT LIGHTING
 3000K/4000K
 NON-FLICKER
 NO DARK SPOTS

Welcome to the leading edge in ceiling lighting.

T-LED Edge Light is an innovative solution for general and accent lighting in offices, hallways and commercial applications. Its perimeter illumination offers a unique edge lit look, replacing the traditional flat panels and troffers at a fraction of the cost.



Features

- ✓ Ideal replacement for traditional flat panels and troffers at a fraction of the cost
- ✓ Non-flicker, no dark spots
- ✓ Installs in minutes
- ✓ AC100-277V, 0-10V dimmable
- ✓ cETLus, DLC premium
- ✓ Ambient temperature: -20°C - 45°C
- ✓ Available in 2X2 and 2X4 versions
- ✓ Available in 3000K and 4000K
- ✓ Dry locations
- ✓ 5 year limited warranty

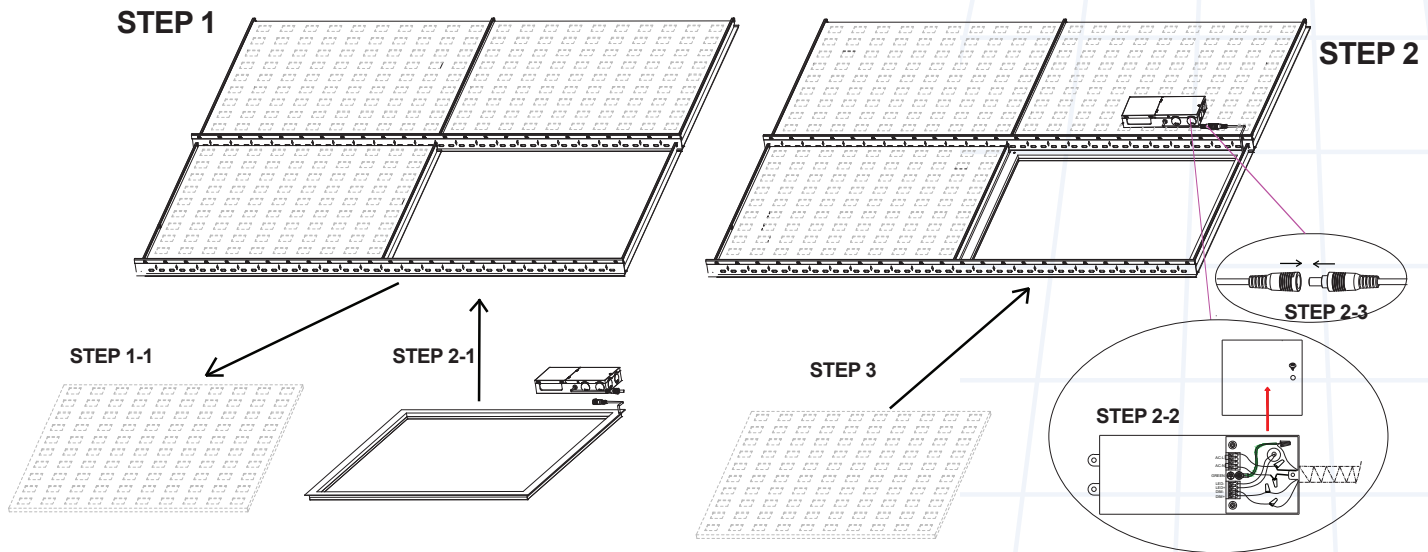
Applications

- Retail
- Offices
- Hallways
- Elevators
- Banquet Halls
- Restaurants

T-LED Edge Light

AC100-277V, 0-10V dimmable technology that offers an ideal replacement for traditional flat panels and troffers.

- Easy installation:**
1. Remove existing ceiling tile.
 2. Place T-LED Edge Light in T Bar ceiling frame and connect to power.
 3. Replace ceiling tile.



Specifications

	T-LED Edge Light
Product Code	TLE-2X2-40-30 TLE-2X2-40-40 TLE-2X4-55-30 TLE-2X4-55-40 <small>SIZE WATTS CCT</small>
Color Temperature	3000K or 4000K
Input Voltage	AC100-277V
Power Consumption (W)	2X2=40 Watts 2X4=55 Watts
Lumen Output	2X2=4800LM 2X4=6600LM
LED Type	Integral SMD 2835 LEDs
Luminous Efficacy	120 Lumens per watt
Beam angle	120°
Color Rendering Index	>80
LED Life (hours)	50,000
Dimmable	0-10V
Approvals	cETLus, DLC

