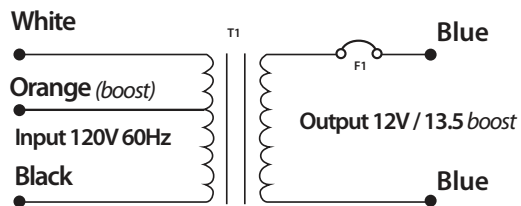
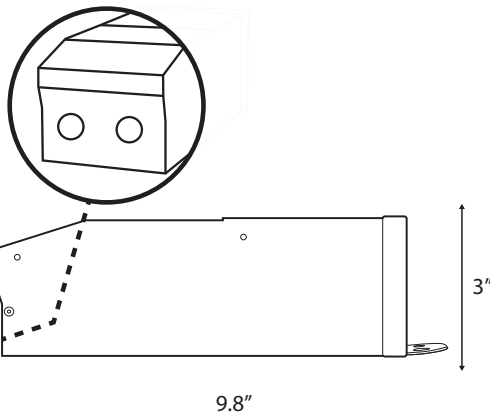
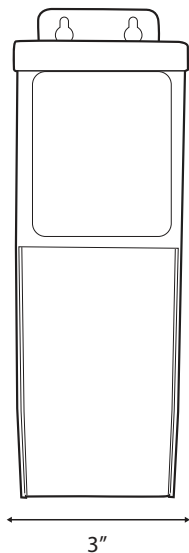


12V AC, 150W outdoor & indoor magnetic transformer.



**Features**

- Manual reset thermal circuit breaker on the secondary side.
- Dimmable with any standard MLV TRIAC dimmer.
- cULus and cETLus listed
- NEMA 3R enclosure

**Specifications**

Max Load	150W
Input Voltage	120V AC
Input Current Full Load	1.27 A
Output Voltage Full Load	11.5V AC
Max Output Current Full Load	12.5 A
Open Circuit Output Voltage	12.5V AC
Efficiency	91.50%
Max. Ambient Temperature	-30°C to 50°C
Min. Installation Space Between Drivers	5"
Thermal Class	B130°C
Leads Primary	PVC 600V #18
Leads Secondary	PVC 300V #12
Dimensions L*W*H	9.8 in. x 3 in. x 3 in. (248.92 mm x 76.2 mm x 76.2 mm)
Weight	87 Oz.

**Ordering Code**

TR - 12 - 150

Project		Type	
Date		Contact	
Notes			