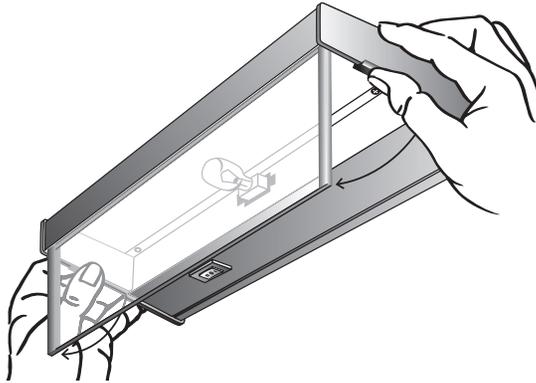


MOUNTING AND WIRING INSTRUCTIONS

1. First release glass diffuser lens by pressing in tabs on each end of the XTL. This loosens the glass lens which will swing down.

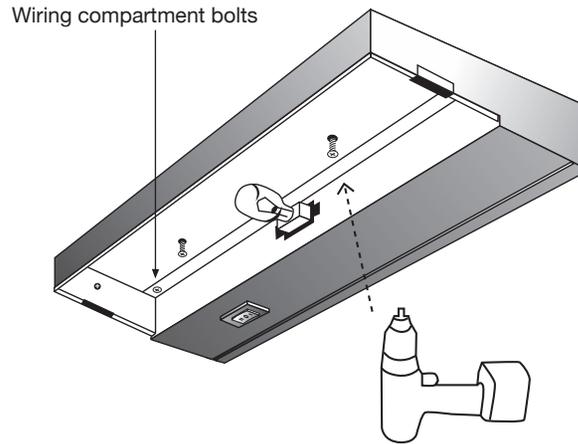


NOTE:

Four and five bulb units have magnet(s) on center of lens which will require a gentle pry downward with a small screwdriver on the lens to release.

2. Easy mounting is assured by simply positioning fixture on mounting surface and driving the two pre-positioned screws into underside of cabinet with a power screwdriver. See diagram.

3. Open wiring compartment by first removing two bolts at bottom of bulb compartment.



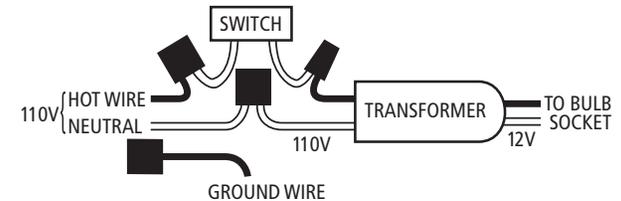
NOTE:

For wall or under cabinet mount only.

CAUTION! Only qualified electricians, or people familiar with household electrical circuits, should bring 110V power to the fixture. Before bringing 110V wire to fixture, make sure incoming wire is not "hot" and all power to wire is off. Not for use with rigid conduit systems. Use flexible conduit to attach to fixture.

3. Through one of the many knockouts provided, bring in 110V power wiring. Secure to fixture with appropriate strain relief.

4. Strip 1/3" (8mm) of the insulation off each incoming 110V power wire. Connect white wire (neutral wire) to push-in connector on white wire from transformer. Connect black incoming 110V power wire (hot wire) to push-in connector on black wire from switch. Connect ground wire to push-in connector from ground wire attached to fixture. Push all wires firmly down into connectors, so that uninsulated wire is not exposed.



5. Check all connections. Close wiring cover and reinstall two wiring compartment bolts. Make sure cover is secure before installing diffuser.
6. Replace glass diffuser by swinging glass lens up into position. Firmly push until thumb release "clicks" into place.
7. Apply 110V power to incoming wiring. Test fixture in both "HI" and "LOW" switch settings.

RELAMPING INSTRUCTIONS

CAUTION! If unit has recently been operating, glass, bulb(s), and fixture are hot! Turn off fixture and allow it to cool for 15 minutes before relamping.

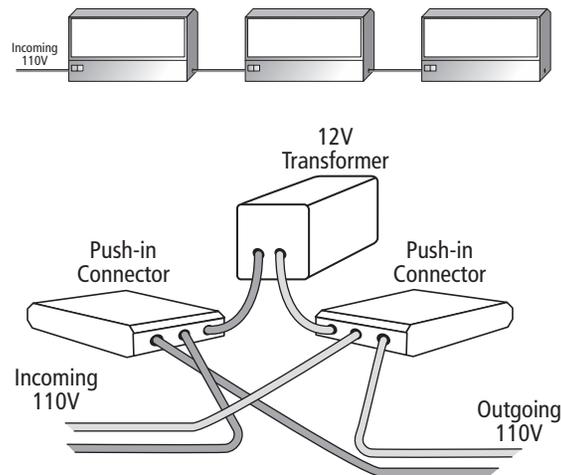
CAUTION! Always replace bulbs with fixture switch in the OFF position.

NOTE: Using a thin pair of gloves during this procedure will eliminate fingerprints on glass lens and Xenon bulbs.

1. Release glass diffuser lens by pressing in tabs on each end of the XTL. This loosens the glass lens which will swing down.
2. Remove Xenon bulbs by pulling directly outward from bulb socket. Replace with 18 watt, 12 volt, Xenon wedge based bulb only (NSL part no. XEN-12-18W)! Push bulb directly into socket until bulb base is firmly seated in bulb socket.
3. Replace glass diffuser by swinging glass lens up into position.

THROUGH-WIRE, 110V POWER

- Disconnect from all 110V power prior to installation.
- Connections must be made in accordance with all local electric codes and/or NEC.
- Interconnect up to 1188 Watts (66 bulbs).
- 14 gauge (Romex Type) or better wire is required.
- Requires strain reliefs.
- Power cord version should not be used for multiple unit wiring.

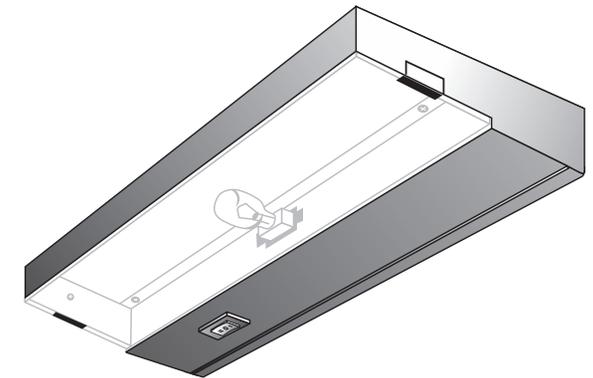


INSTALLATION INSTRUCTIONS

XENON TASK LIGHT

Self-Contained Task Light Fixture

HARD WIRE VERSION



Under cabinet task light

Bright enough for writing and detail work

High-low dimmer switch

Cooler and safer than halogen lights

10,000 hour bulb life

NSL
NATIONAL SPECIALTY LIGHTING
YOUR TRUSTED LIGHTING PARTNER

NSL
NATIONAL SPECIALTY LIGHTING
YOUR TRUSTED LIGHTING PARTNER

