

CCT Adjust Mini Flood Light

CCT Adjust Mini Flood Lights provide exceptional illumination for architectural, signage and landscape applications. CCT adjustable with a push of a button 3000K/4000K/5000K.



FEATURES

- Compact size
- CCT adjustable 3000K/4000K/5000K
- High lumen output
- Easy to install and operate
- Very wide flood 150° x 120° (7H6V)
- Long life 50,000 hours
- Instant start, no flickering
- Available in 15W, 30W or 50W
- cULus listed for wet locations
- 5 year limited warranty

APPLICATIONS

- Architectural lighting
- Signage
- Landscape lighting
- Exterior commercial

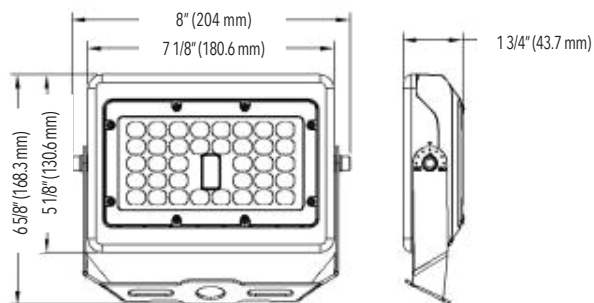
PRODUCT CODES

FL - 15 - CT
FL - 30 - CT
FL - 50 - CT

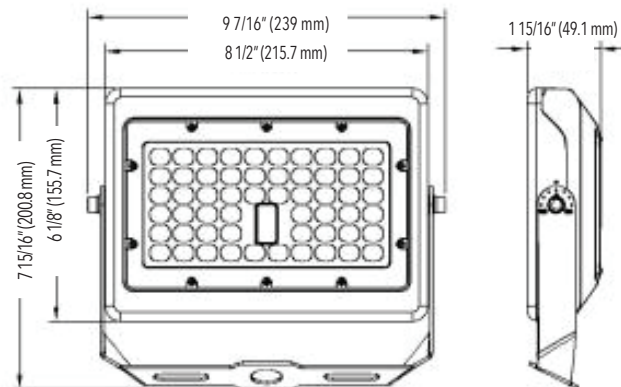
SPECIFICATIONS

Input Voltage	100 -277VAC
Adjustable Color Temperature	Warm White (3000K) Neutral White (4000K) Cool White (5000K)
Power Consumption (W)	15W / 30W / 50W
Lumen Output	15W: 3000K=1725-1950LM / 4000K=2025-2250LM / 5000K=1875-2100LM 30W: 3000K=3450-3900LM / 4000K=4050-4500LM / 5000K=3750-4200LM 50W: 3000K=5750-6500LM / 4000K=6750-7500LM / 5000K=6250-7000LM
LED Type	SMD3030 (1W)
Beam Angle	150° x 120° (7H6V)
Operating Temperature	-20°C to 50°C
Color Rendering Index	>80
Approvals	cULus listed for wet locations

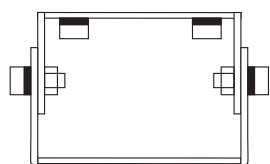
15W and 30W



50W



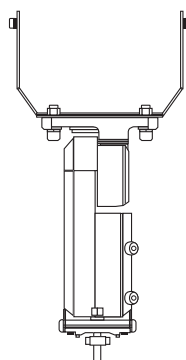
MOUNTING ACCESSORIES



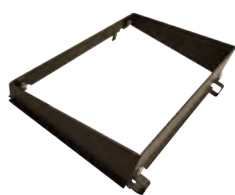
FL-TR
Trunnion mount bracket
To use for wall and ground mount



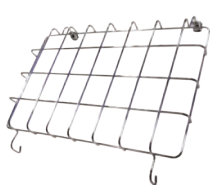
FL-Y-15/30, FL-Y-50
Yoke mount bracket
To use for wall and ground mount



FL-ADM-15/30, FL-ADM-50
Universal mount bracket
For use on poles



FL-SH-15/30
FL-SH-50
Glare shield



FL-WG-15/30
FL-WG-50
Wire guard