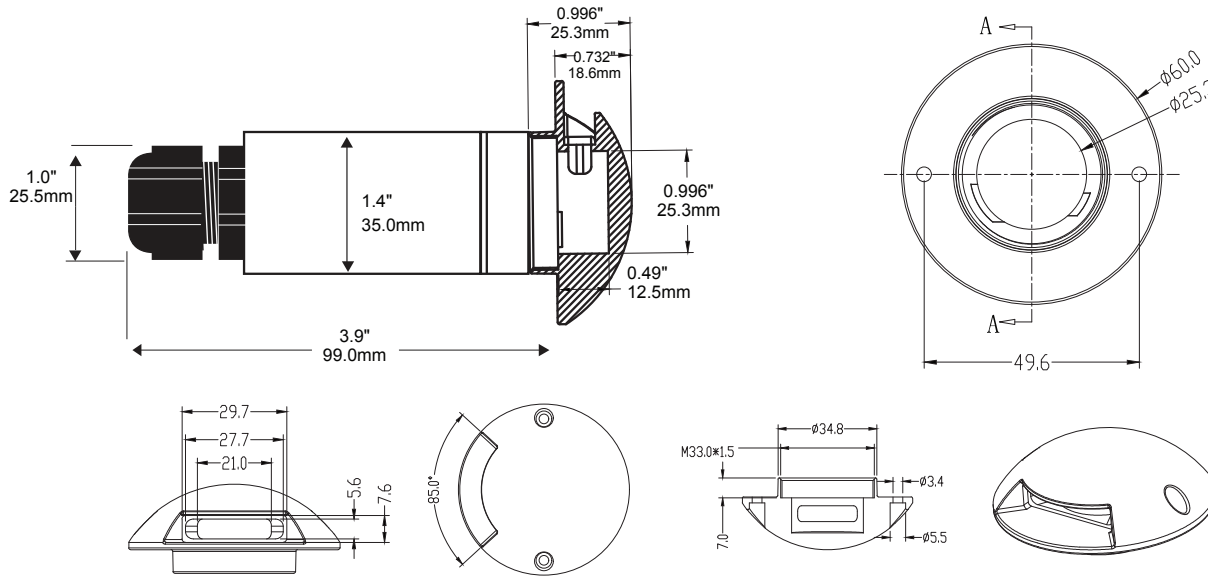


A robust LED marker light ideal for public or residential applications, indoor or outdoor.



Features

- Dimmable with dimmable power supply
- Long life – 50,000 hours
- Low power consumption 3 watts per fixture
- Safe 12 volt, Class 2 power supply (not included)
- Up to 30 fixtures per power supply
- cETLus listed for in-wall, in-floor, outdoor wet, and outdoor burial applications
- Fits in any 1.5" diameter hole, 4" long
- 3 year limited warranty

Specifications

Voltage	12V DC
Power Consumption	3 Watts
Average LED Life	50,000 hours
LED Colors	Cool White 98 lumens @ 5500K Warm White 95 lumens @ 2700K
Cover Finish	Stainless Steel
Barrel Finish	Stainless Steel
LED Type	5050
Lens	Clear Tempered Glass
Wiring Options	Our largest driver can power up to 18 LED Disc Lights wired parallel or "Daisy chained" together. NOTE: Use LW-18G-CL2 for all in-wall applications, LW-18G-BUR for all burial applications.
Approval	cETLus listed and labeled for wet, IC, wall and direct burial applications.

Ordering Code:

LEDD-C- LED Color -D
WH
WW

Accessories:

LEDD-CF

LED Disc concrete form for concrete pour applications. Fits over most 3/4" conduit junction boxes.

Drivers:

Dimmable (Indoor/Outdoor)

TRE12L20DC

Max. recommended load 18W or 6 LEDD
Min. recommended load 8W or 3 LEDD

TRE12L60DC

Max. recommended load 54W or 18 LEDD
Min. recommended load 8W or 3 LEDD

Non-Dimmable

LEDDR-12-60W

Indoor/Outdoor driver
60W hardware
Max. 18 LEDD

Project		Type	
Date		Contact	
Notes			