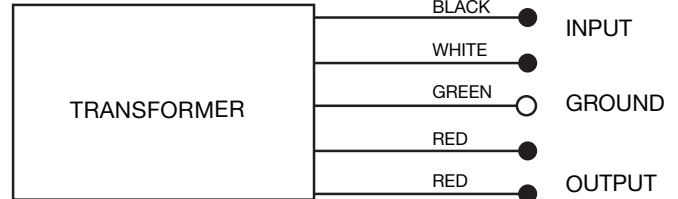
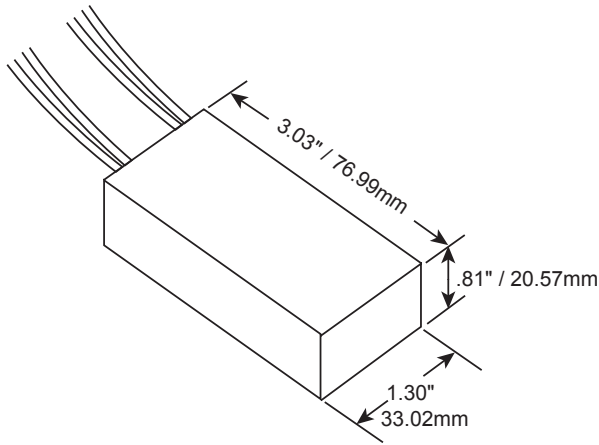


12V AC, 105 Watts Electronic Transformer



Specifications	
Input Voltage	120VAC, 50-60Hz
Output Voltage	11.5 VAC
Enclosure Material	Aluminum
Weight	4 oz.
Power Factor	> 0.95
Operating Frequency	25KHz
Total Harmonic Distortion	≤ 20%
Leads Primary	6", 18AWG stranded, 105°C stripped 3/8" tinned
Leads Secondary	6", 18AWG stranded, 105°C stripped 3/8" tinned
Max Watts	105
Min Watts	5
Input Current	0.88A
Output Current	9.13A
Maximum Case Temp.	90°C
Minimum Starting Temp.	-30°C
Sound Rating	A+
Operating Humidity	95% relative humidity, non-condensating
Environmental Protection	Epoxy Sealed for moisture resistance and shock/vibration resistance

Features

- High Reliability
- Moisture Resistant
- Emits no audible noise
- Low Harmonic Distortion
- High power factor
- Lightweight, compact design
- Rated for dry and damp locations
- Works with most commercially available dimmers. Hardwire electronic dimmers are recommended for optimum performance.

Soft Start Circuitry

The transformers utilize a soft start circuitry to maximize lamp life. The soft start circuit ramps up the lamp filament voltage slowly when the lamp is cold.
NOTE: Instant Start on Hot Lamp Re-Strike

Electronic Short-Circuit Protection

The transformers employ the (ESP) Electronic Short Circuit and overload protection. The ESP sensing circuit will instantly shut down the output before any of the components are stressed if a short circuit or over load is detected. The transformer will automatically reset as soon as the fault is corrected.

Ordering Code

TE - 12 - 105

Project		Type	
Date		Contact	
Notes			