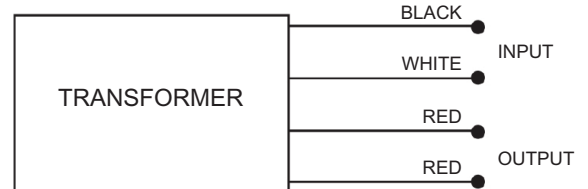
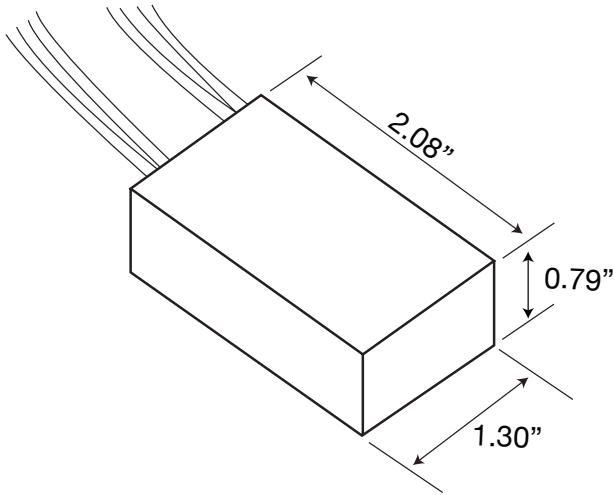


12V, 75 Watts Electronic Transformer



Specifications	
Input Voltage	120V AC, 50-60HZ
Output Voltage	11.5 VAC
Enclosure Material	Aluminum
Weight	2.4 oz
Power Factor	0.98
Operating Frequency	25KHz
Total Harmonic Distortion	≤ 20%
Leads Primary	6", 18AWG stranded, 105 °C stripped 3/8" tinned
Leads Secondary	6", 18AWG stranded, 105°C stripped 3/8" tinned
Max Watts	75
Input Current	0.63A
Output Current	6.3A
Maximum Case Temp.	90°C
Minimum Starting Temp.	-18°C
Sound Rating	A+
Operating Humidity	95% relative humidity, non-condensating
Environmental Protection	Fully potted for moisture resistance and shock/ vibration resistance

Features

- High Reliability
- Moisture Resistant
- Emits no audible noise
- Low Harmonic Distortion
- High power factor
- Lightweight, compact design
- Class 2 Approved
- Works with most commercially available dimmers. Hardwire electronic dimmers are recommended for optimum performance.

NOTE: Must use a minimum of 20 watts when using dimmers.

Soft Start Circuitry

The transformers utilize a soft start circuitry to maximize lamp life. The soft start circuit ramps up the lamp filament voltage slowly when the lamp is cold.
NOTE: Instant Start on Hot Lamp Re-Strike

Electronic Short-Circuit Protection

The transformers employ the (ESP) Electronic Short Circuit and overload protection. The ESP sensing circuit will instantly shut down the output before any of the components are stressed if a short circuit or over load is detected. The transformer will automatically reset as soon as the fault is corrected.

Ordering Code

TE - 12 - 75

Project		Type	
Date		Contact	
Notes			