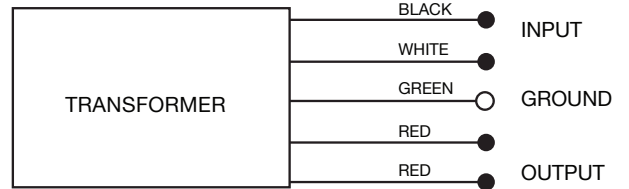
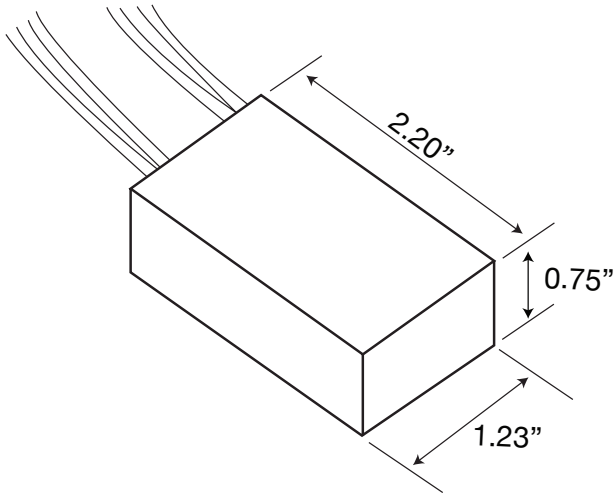


12V, 80Watts Electronic Transformer



| Specifications | |
|---------------------------|---|
| Input Voltage | 120V AC, 50-60HZ |
| Output Voltage | 11.5 VAC |
| Enclosure Material | Aluminum |
| Weight | 0.21 lbs |
| Power Factor | > 0.95 |
| Operating Frequency | 25KHZ |
| Total Harmonic Distortion | ≤ 20% |
| Leads Primary | 6", 18AWG stranded, 105 °C stripped 3/8" tinned |
| Leads Secondary | 6", 18AWG stranded, 105°C stripped 3/8" tinned |
| Max Watts | 80 |
| Min Watts | 5 |
| Input Current | 0.67A |
| Output Current | 7.0A |
| Maximum Case Temp. | 90°C |
| Minimum Starting Temp. | -30°C |
| Sound Rating | A+ |
| Operating Humidity | 95% relative humidity, non-condensating |
| Environmental Protection | Epoxy Sealed for moisture resistance and shock/vibration resistance |

Features

- High Reliability
- Moisture Resistant
- Emits no audible noise
- Low Harmonic Distortion
- High power factor
- Lightweight, compact design
- Class P Type 1, Outdoors; Class 2 Approved
- Works with most commercially available dimmers. Hardwire electronic dimmers are recommended for optimum performance.

Soft Start Circuitry

The transformers utilize a soft start circuitry to maximize lamp life. The soft start circuit ramps up the lamp filament voltage slowly when the lamp is cold.
NOTE: Instant Start on Hot Lamp Re-Strike

Electronic Short-Circuit Protection

The transformers employ the (ESP) Electronic Short Circuit and overload protection. The ESP sensing circuit will instantly shut down the output before any of the components are stressed if a short circuit or over load is detected. The transformer will automatically reset as soon as the fault is corrected.

Ordering Code

TE - 12 - 80

| | | | |
|---------|--|---------|--|
| Project | | Type | |
| Date | | Contact | |
| Notes | | | |