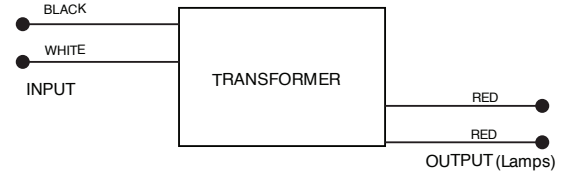
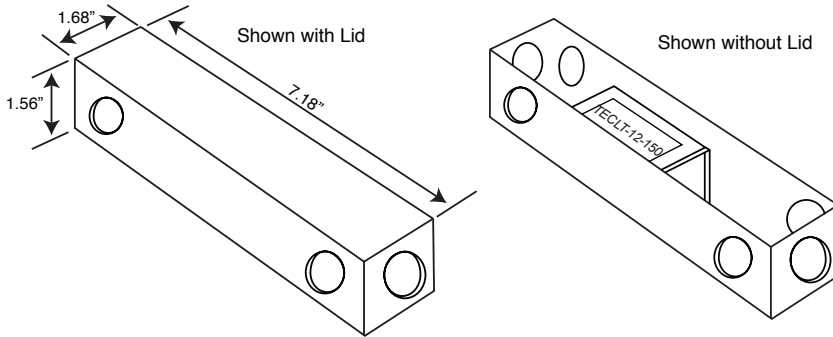


12V, 150Watt Electronic Transformer



Note: Three (3) 3/4" knockouts on each end of case.
Ground wire is attached with lug and nut to the inside of the enclosure.

Features

- High Reliability
- Moisture Resistant
- Emits no audible noise
- Low Harmonic Distortion
- High power factor
- Lightweight, compact design
- cETLus listed
- Dimmable. Electronic Low Voltage dimmers are recommended for optimum performance

The transformers utilize a soft start circuitry to maximize lamp life. The soft start circuit ramps up the lamp filament voltage slowly when the lamp is cold. The transformers employ the (ESP) Electronic Short Circuit and overload Protection. The ESP sensing circuit will instantly shut down the output before any of the components are stressed if a short circuit or over load is detected. The transformer will automatically reset as soon as the fault is corrected.

Specifications

Input Voltage	120VAC - 50-60Hz
Output Voltage	11.5 VAC
Output Current	13.05A
Weight	16 oz.
Power Factor	> 0.95
Operating Frequency	25KHz
Total Harmonic Distortion	≤ 20%
Leads Primary	6", 18AWG stranded, 105 degree C stripped 3/8" tinned
Leads Secondary	6", 18AWG stranded, 105 degree C stripped 3/8" tinned
Maximum Case Temperature	80°C
Minimum Starting Temperature	-30°C
Sound Rating	A+
Operating Humidity	95% relative humidity, non-condensating
Environmental Protection	Epoxy Sealed for moisture resistance and shock/vibration resistance

Ordering Code

TECLT - 12 - 150

Project		Type	
Date		Contact	
Notes			