

# 5CCT LED Gimbal Down Light

Ideal for directional lighting in both remodels and new constructions, 5CCT LED Gimbal Down Lights provide a flexible and cost-effective option across a broad range of uses.



## FEATURES

- 120V AC input voltage
- TRIAC dimmable
- Low power consumption: 8/ 14/18W
- Available in 3", 4" and 6"
- Luminous flux: 600-650LM/ 950-1000LM/ 1150-1200LM
- CCT adjustable: 2700/ 3000/ 3500/4000/ 5000K
- 30,000 hour life
- 360° rotation
- Beam angle: 38°
- Tilting angle: 90°
- 90CRI
- cETLus, Energy Star certified
- 5 years limited warranty
- Airtight

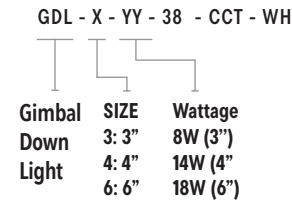
## APPLICATIONS

- |                    |                   |
|--------------------|-------------------|
| <b>RESIDENTIAL</b> | <b>COMMERCIAL</b> |
| • Kitchens         | • Lobbies         |
| • Pantries         | • Hallways        |
| • Laundry rooms    | • Elevators       |
| • Bathrooms        | • Stairways       |
|                    | • Retail          |
|                    | • Restaurants     |
|                    | • Office lighting |

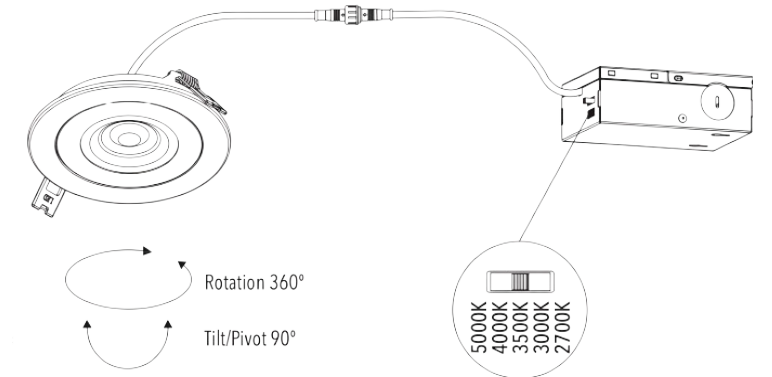
## SPECIFICATIONS

Size	3 Inches	4 Inches	6 Inches
<b>Product Code</b>	GDL-3-8W-38-CCT-WH	GDL-4-14W-38-CCT-WH	GDL-6-18W-38-CCT-WH
<b>Electrical</b>	120V AC		
<b>Input Voltage</b>	120V AC		
<b>Power Consumption</b>	8W	14W	18W
<b>Specs</b>	2700/3000/3500/4000/5000K		
<b>Color Temperature</b>	2700/3000/3500/4000/5000K		
<b>Luminous Flux</b>	600-650LM	950-1000LM	1150-1200LM
<b>CRI</b>	90+		
<b>Dimmable</b>	Yes, TRIAC dimmable		
<b>Beam Angle</b>	38°		
<b>Rotation</b>	360°		
<b>Tilting Angle</b>	90°		
<b>LED</b>	High Brightness COB LED		
<b>Type</b>	High Brightness COB LED		
<b>Life Span</b>	30,000 Hours		
<b>Design</b>	White		
<b>Finish</b>	White		
<b>Operating Temperature</b>	-20°C to 40°C		
<b>Approved Location</b>	Indoor/Outdoor		
<b>Mounting</b>	Ceiling via spring loaded clips		
<b>Warranty</b>	5 years		
<b>Approvals</b>	cETLus and Energy Star		

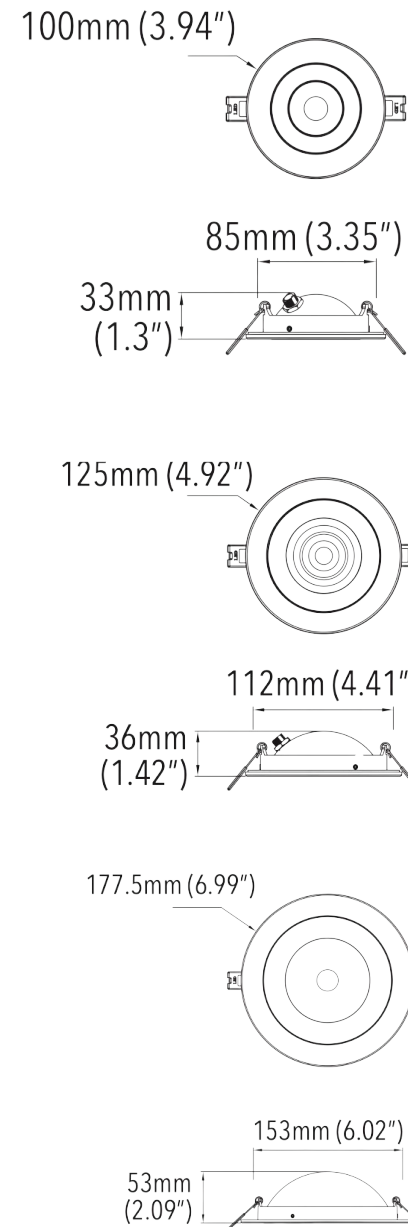
## PRODUCT CODES



## DIAGRAM



## DIMENSIONS



## CONSTRUCTION PLATES

