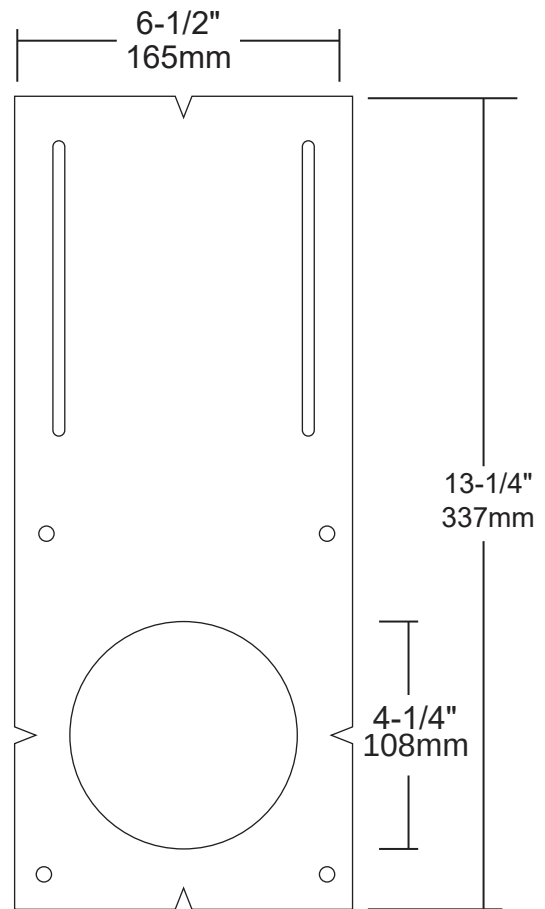


6 Inch CP



4 Inch CP

SPECIFICATIONS		NOTE
Material	Galvanized Iron Sheet Metal	Sold separately (each)
Size	4" and 6"	

* For Use with: SDL-5CCT-4, SDL-5CCT-6, RGL-FR-5CCT, DL-FR-5CCT Series of products. Provides secure and accurate mounting of downlights in new construction applications.

Ordering Code(s) • DL-FR-CP-4 & DL-FR-CP-6

Project		Type	
Date		Contact	
Notes			