

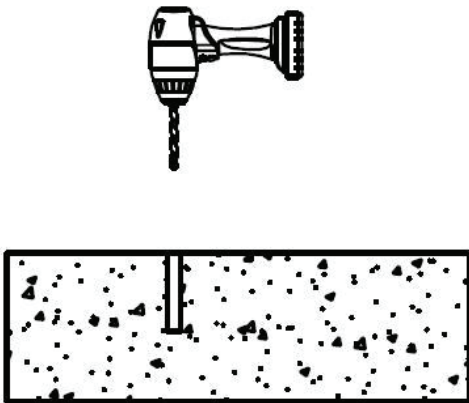
IMPORTANT

READ CAREFULLY BEFORE INSTALLING FIXTURE. RETAIN THESE INSTRUCTIONS FOR FUTURE REFERENCE.

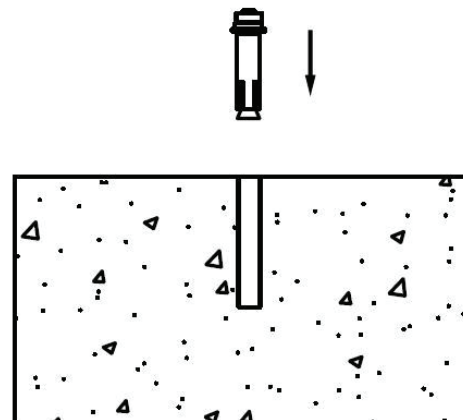
Fixtures must be wired in accordance with the National Electrical Code and all applicable local codes. Proper grounding is required for safety. This product must be installed in accordance with the applicable installation code by a person familiar with the construction and operation of the product and the hazards involved.

WARNING: Make certain power is OFF before installing or maintaining fixture. No user serviceable parts inside.

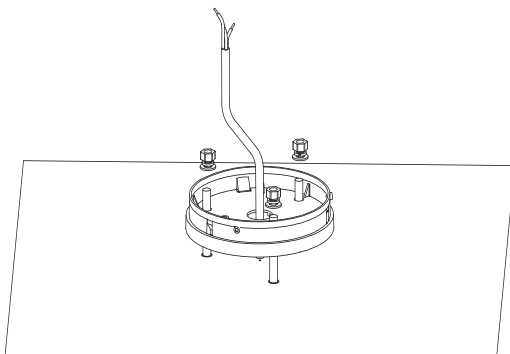
1. Drill holes in the cement foundation.



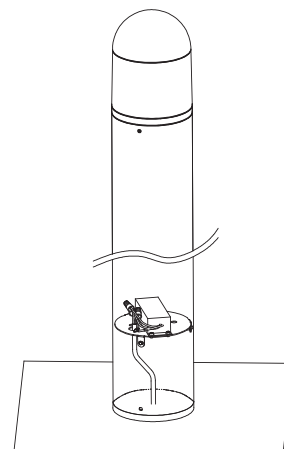
2. Place expansion screw in the drilled holes.



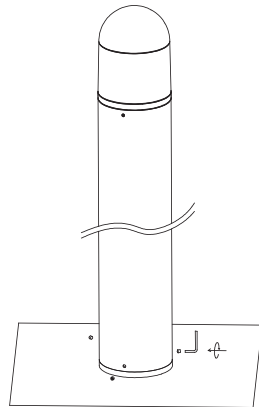
3. Lock the bottom of the lamp onto the expansion screw.



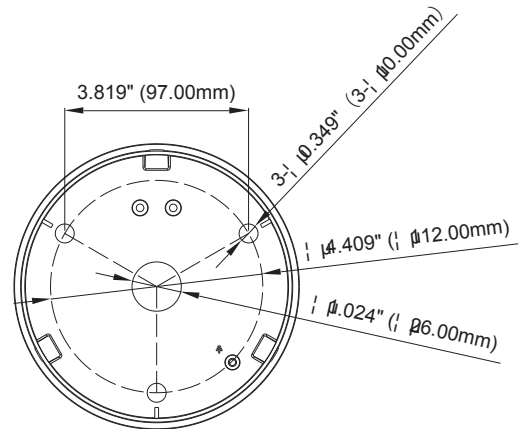
4. Connect the wires and put the wiring caps on the board.



5. Lock the aluminum body onto the base using the three set screws; Check the lamp is firm after installation, and connect the power supply to light it.



6. Dimension of the installation base. For reference:



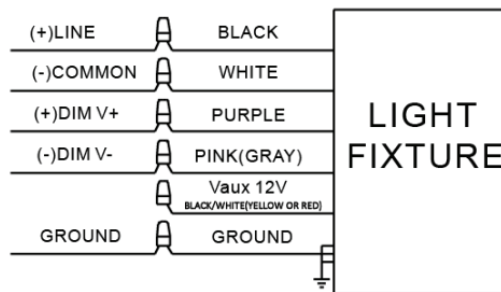
Instructions

WIRING

WARNING: Before wiring, make certain the input voltage is correct!

1. Connect the black fixture lead to the (+) LINE supply lead.
2. Connect the white fixture lead to the (-) COMMON supply lead.
3. Connect the GROUND wire from fixture to supply ground

0-10V DIMMABLE WIRING



4. Connect the purple fixture lead to the (V+) DIM lead.
5. Connect the Pink(Gray) fixture lead to the (V-) DIM lead.
6. Cap the Vaux 12V fixture lead, if present. Do NOT connect.

TROUBLESHOOTING

1. Check that the line voltage at fixture is correct. Refer to wiring directions.
2. Is the fixture grounded properly?

CLEANING & MAINTENANCE

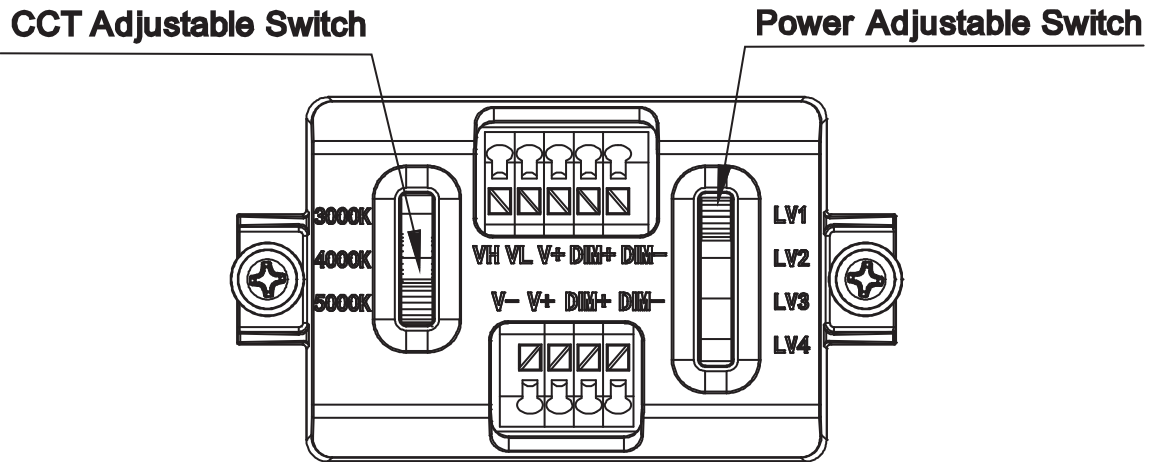
CAUTION: Be sure fixture temperature is cool enough to touch. Do not clean or maintain while fixture is energized.

1. Clean lens & fixture with non-abrasive glass cleaning solution.
2. Do not open fixture to clean the LED. Do not touch the LED.

Instructions (Continued)

WATTAGE & CCT ADJUSTABLE SWITCH SETTING

(Only for the Models with Power and CCT adjustable functions)



| | |
|--------------------|--|
| CCT | 3000K /4000K/5000K (default: 5000K) |
| Power (25W) | LV1: 25W /LV2: 20W /LV3: 15W /LV4: 8W (default: 25W) |

NOTE

These instructions do not cover all details or variations in equipment nor do they provide for every possible situation during installation operation or maintenance.