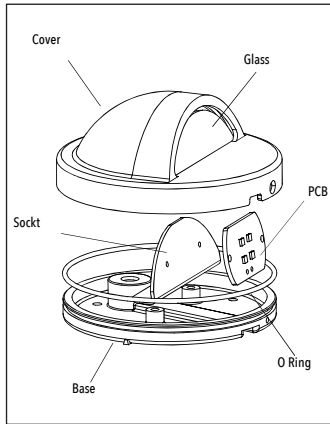


Read and follow all safety instructions

Luminaires must be installed in accordance with all local codes. Failure to do so will void the warranty and may result in serious injury and/or damage to the luminaire.

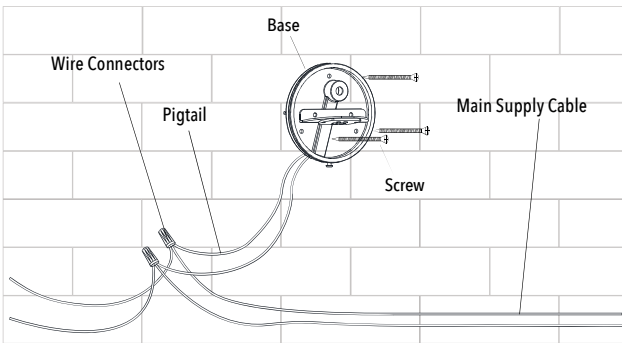
- Turn off/unplug and allow to cool before replacing lamp.
- Lamps get hot quickly! Contact only switch/plug when turning on.
- Do not touch hot lens, guard or enclosure.
- Keeping lamp away from material that may burn.
- Do not operate luminaire with a missing or damaged parts.
- Luminaires shall not be installed within 10 feet (3m) of a pool, spa or fountain.



Save these instructions

SAFETY WARNING: Luminaire can become very hot depending on lamp wattage used. Lens and metal around lamp can become hot. Particular care should be taken not to locate luminaires where small children can reach them if high wattage lamps are used.

INSTALLATION INSTRUCTION



- Fixture(s) should be used "ONLY" with low voltage landscape power units that do not exceed 25A, 15V.
- The power units reduce the voltage from 120 volts to 12 volts.
- The main cable from power units should be buried for a minimum of 6 inches under the ground level. Use only UL approved wire and connectors.
- Attach fixture(s) wires to main cable with cable connector suitable for direct burial.
- Dig a small hole and insert fixture spike into ground and turn on power unit.

WARNING: Fixture(s) wires have to be run in close proximity to fixture(s) and not buried more than 3 inches.

THE MAIN LOW VOLTAGE CABLE FROM THE LUMINAIRE IS TO BE:

- Protected by routing in close proximity to the luminaire or fitting, or next to a building structure such as a house or deck
- Not to be buried except for a maximum of 6 inches (15.2 cm) in order to connect to the main low voltage cable.
- Have the excess length cut off as to limit the length of the overall run and thus reduce voltage drop.

NOTE: Always use UL recognized wire connectors for connection.

LUMINAIRE IS FOR ABOVE GROUND INSTALLATION ONLY.

ATTENTION

FOLLOW INSTRUCTIONS TO REDUCE THE RISK OF FIRE, OR INJURY TO PERSONS.

IMPORTANT SAFETY INSTRUCTIONS: THE LIGHTED LAMP CAN BE HOT! IMPROPER INSTALLATION MAY DAMAGE LUMINAIRE OR PROPERTY.

WF-02-12V-BLK



NSL

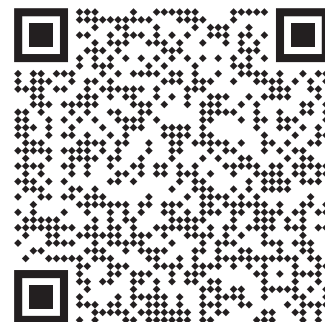
NATIONAL SPECIALTY LIGHTING
YOUR TRUSTED LIGHTING PARTNER

2299 Kenmore Avenue, Tonawanda, New York 14207

303.926.1100

nslsales@nslusa.com

www.nslusa.com



Scan above code for more info.