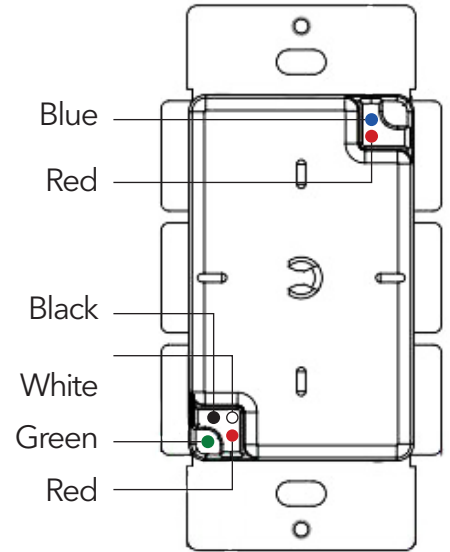
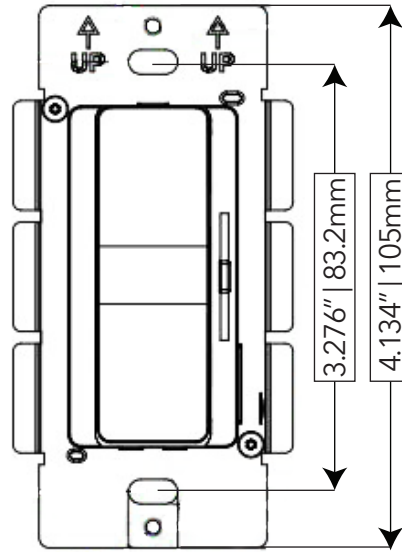
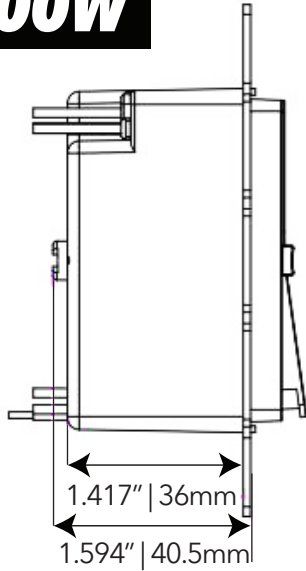


**100W**



**SPECIFICATIONS**

<b>Input Voltage</b>	120VAC	<b>Protection</b>	<ul style="list-style-type: none"> <li>• Short Circuit (auto-recovery)</li> <li>• Overload &gt;110% (hiccup mode)</li> <li>• Over-temperature shut-off with auto-recovery</li> </ul>
<b>Output Voltage</b>	24VDC		
<b>Max Output Power</b>	100W		
<b>Rated Current</b>	2.5A		
<b>Dimming Range</b>	0.3%-100%	<b>Warranty</b>	5 Years
<b>Efficiency @ full load</b>	91%	<b>Size</b>	4.13" × 2.13" × 2" / 105 × 54 × 51 mm
<b>Operating Temp</b>	-40°C to +60°C	<b>Power Factor</b>	>0.99
<b>Environment</b>	Dry and damp locations	<b>Certifications</b>	UL / cUL / FCC / Class P / SELV / RoHS / Reach

**FEATURES**

- 120V AC Input, Constant Voltage Output
- Active Power Factor Correction (PFC)
- Built-in Protection: Short, Overload, Temp
- Fanless Cooling via Natural Convection
- Fine-Tune Adjustable Output Voltage
- Built-in Dimmer with On/Off Switch
- Works with 3-Way Switches
- Fixes Driver/Switch Compatibility Issues
- Dimming Range: 0.3%–100%
- 16kHz Flicker-Free PWM
- For Dry & Damp Locations
- 5-Year Limited Warranty

**Ordering Code(s)** • DD-24100-S-WH • DD-24100-S-BK (Black, Special Order)

Project		Type	
Date		Contact	
Notes			