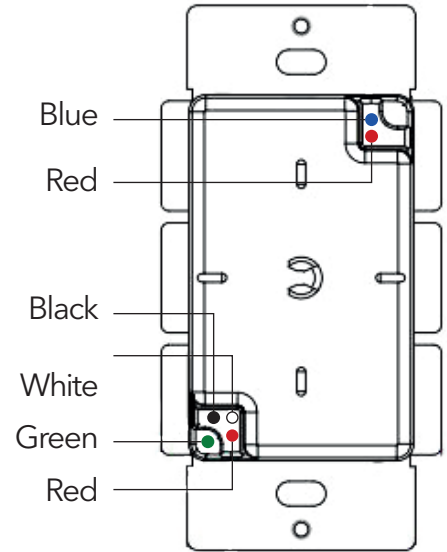
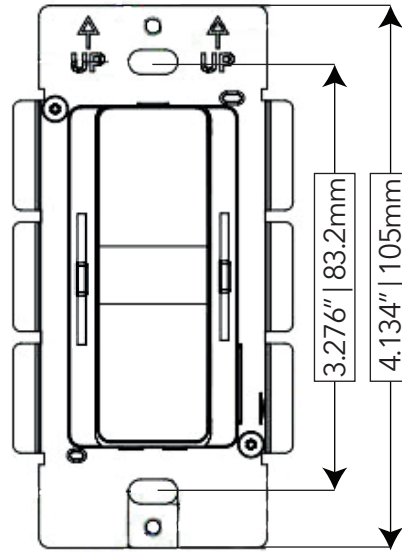
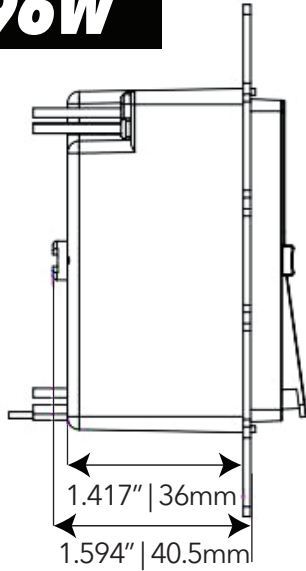


96W



SPECIFICATIONS

Input Voltage	120VAC	Protection	<ul style="list-style-type: none"> • Short Circuit (auto-recovery) • Overload >110% (hiccup mode) • Over-temperature shut-off with auto-recovery
Output Voltage	24VDC		
Max Output Power	96W		
Rated Current	4 A		
Dimming Range	0.3%-100%	Warranty	5 Years
Efficiency @ full load	91%	Size	4.13" × 2.13" × 2" / 105 × 54 × 51 mm
Operating Temp	-40°C to +60°C	Power Factor	>0.99
Environment	Dry and damp locations	Certifications	UL / cUL / FCC / Class P / SELV / RoHS / Reach

FEATURES

- Built-in 2- and 3-wire CCT tuning & dimming
- 120V AC Input, Constant Voltage Output
- Active Power Factor Correction (PFC)
- Built-in Protection: Short, Overload, Temp
- Fine-Tune Adjustable Output Voltage
- Built-in Dimmer with On/Off Switch
- Works with 3-Way Switches
- Fixes Driver/Switch Compatibility Issues
- Dimming Range: 0.3%–100%
- 16kHz Flicker-Free PWM
- For Dry & Damp Locations
- 5-Year Limited Warranty

Ordering Code(s)

- DD-2496-P-WH (White)
- DD-2496-P-BK (Black)

Project		Type	
Date		Contact	
Notes			